

# CFWS-2

## CHEM-FEED® Wall Mount Duplex Skid System



### Features

- > Chemically resistant polyethylene structure
- > Leak free, threadless connections
- > Pressure Relief Valve protects the system from over-pressurization
- > Check Valve protects the user from back-flow
- > Optional Flow Sensor for monitoring chemical flow
- > Included handles for easy installation

Video link: 

### Highlights

#### Piping

PVC Schedule 80  
(optional CPVC, PVDF,  
and CHEM PROLINE®)

#### Pressure

150 PSI  
(10.3 bar)

#### Compatibility

A1, A2, A3, A4,  
CD1, C2, C3, CD3

#### Frame material

Polyethylene

#### Mounting position

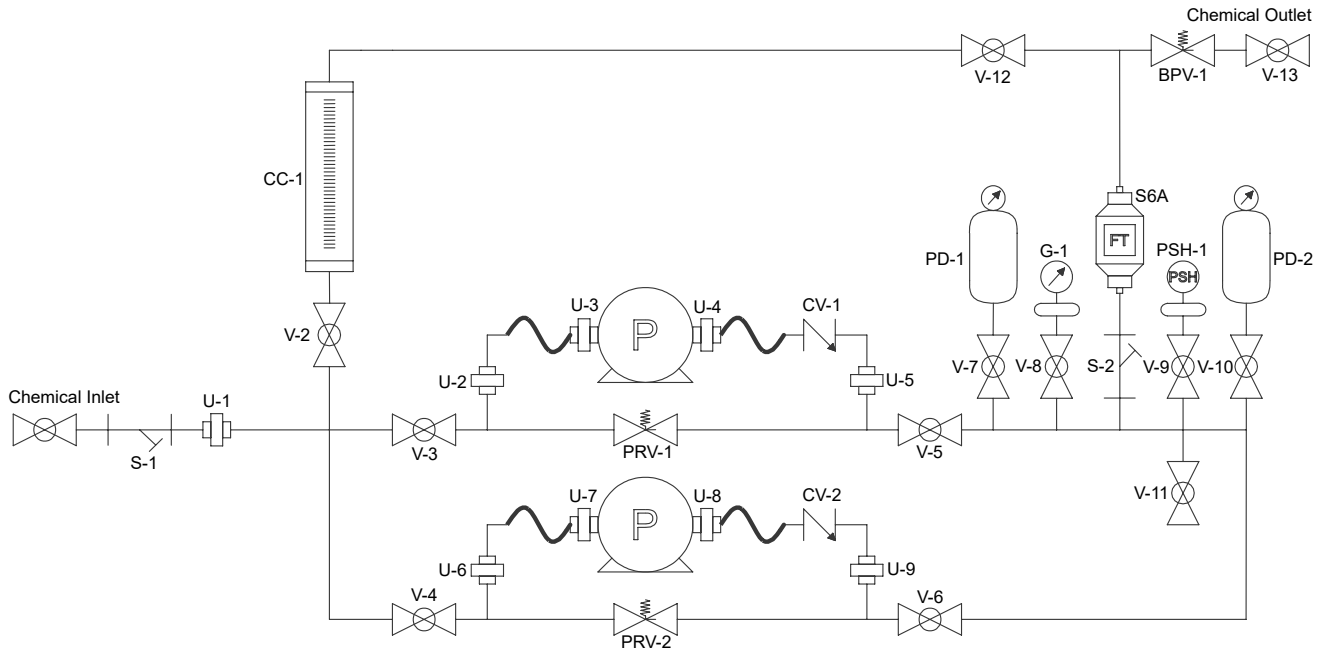
Wall

#### Warranty

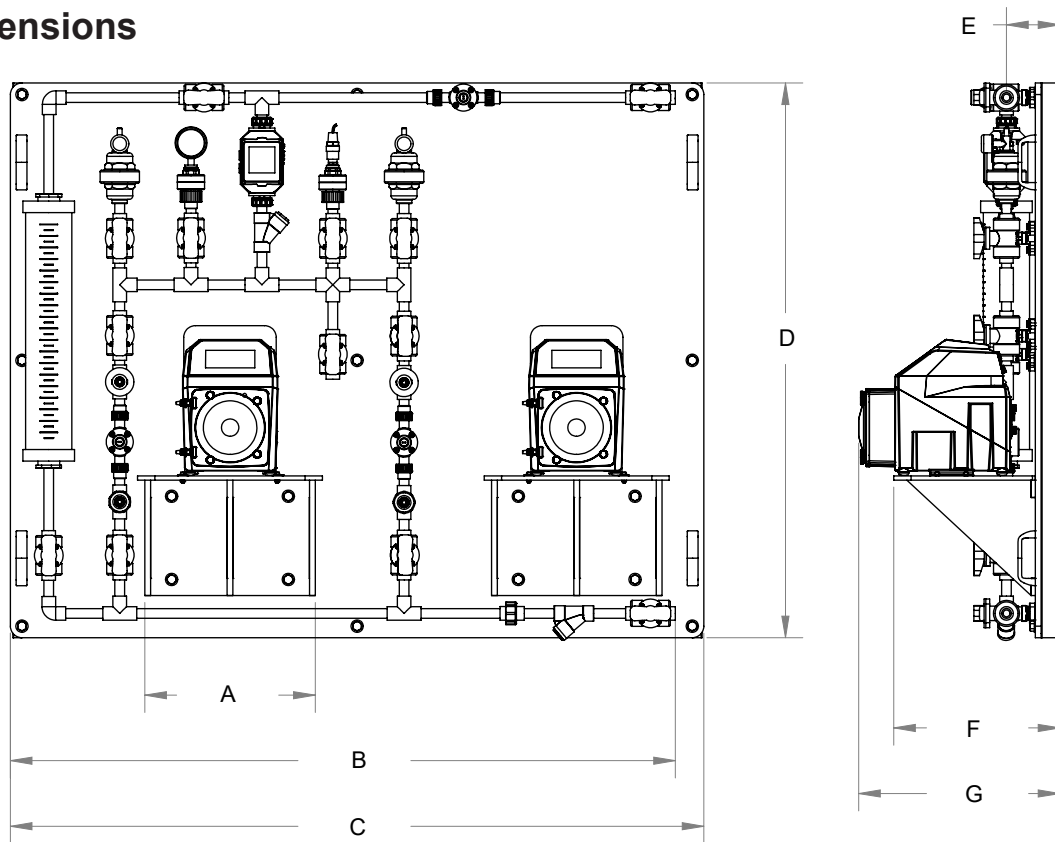
2 Years



<b>Skid</b>	Chemically resistant polyethylene structure
<b>Pump (sold separately)</b>	FLEXFLO® A1, A2, A3 or A4 peristaltic pumps CHEM-FEED® CD1, C2, C3 or CD3 diaphragm pumps
<b>Piping</b>	1/2" PVC Schedule 80 (optional CPVC, PVDF, CHEM PROLINE®)
<b>Seals</b>	FKM seals (optional EPDM)
<b>Tubing (T)</b>	Reinforced braided PVC, 200 psi max, meets NSF std. 51. The pump inlet and outlet flexible tubing connections are terminated to half unions and secured to the barbed fitting with stainless steel clamps. (Optional: 1/2" PTFE, 1/4" PE, 1/4" PTFE)
<b>Tubing Clamps</b>	300 series SS band, 400 series SS screw
<b>Unions (U)</b>	PVC body, schedule 80 (optional CPVC, PVDF)
<b>Ball Valves (V)</b>	True unions, PVC body, PTFE shaft bearings and seats (optional CPVC, PVDF)
<b>Pressure Relief Valve (PRV)</b>	PVC body, PTFE primary diaphragm seal. Non-wetted components: EPDM secondary seal, zinc plated steel spring, stainless steel external hardware, HDPE pressure adjustment screw. Infinite adjustment from 10-150 psi. (optional CPVC, PVDF)
<b>Calibration Cylinder (CC)</b>	PVC body, PVC end caps, 1/2" PVC pipe outlet vent. Available volumes: 1.6 GPH (100ml), 4 GPH (250ml), 8 GPH (500ml), 16 GPH (1000ml), 32 GPH (2000ml), and 64 GPH (4000mL). (Optional Glass)
<b>Pulsation Dampener (PD)</b>	CPVC body, 10 cubic inch volume (optional PVDF)
<b>Gauge W/Guard (G)</b>	Gauge: liquid filled stainless steel with blowout plug, bottom mount, 1/4" NPT heads. Available pressure ranges: 0-30 psi, 0-100, psi, 0-200 psi. Guard: PVC body, temperature compensated oil filled. (optional CPVC, PVDF)
<b>Check Valve (CV)</b>	PVC body. Cracking pressure: 1.0-1.5 psi Maximum working pressure: inlet = 150 psi, back = 100 psi (optional CPVC, PVDF)
<b>Flow Sensor (S6A)</b>	Available Flow Ranges: 10 - 5,000 ml/min, 100 - 10,000 ml/min
<b>Y Strainer (S)</b>	PVC body, 1/32" Mesh (optional CPVC, PVDF)
<b>Pressure Switch (PSH)</b>	316 Stainless Steel
<b>Back-Pressure Valve (BPV)</b>	PVC body, 0-150 PSI Range (optional CPVC, PVDF)
<b>Universal Mounting Blocks</b>	PA 12
<b>Pump Extended Mounting Brackets</b>	316 Stainless Steel
<b>Skid Mounting Brackets</b>	316 Stainless Steel
<b>Mounting Hardware</b>	304 Stainless Steel
<b>Maximum Working Pressure</b>	150 psig (10.3 bar)
<b>Operating Temperature</b>	14 °F to 115 °F (-10 °C to 46 °C)
<b>Maximum Overall Dimensions</b>	60" W x 48" H x 17.41" D (152.4W x 121.9H x 44.2D cm)
<b>Skid Weight</b>	80 lb. (Not including pumps)
<b>Approximate Shipping Weight</b>	280 lb. (127 kg) (Pumps ship separately)
<b>Approximate Shipping Dimensions</b>	17" x 50" x 62" (Pumps ship separately)



## Dimensions



Dim	Inch	cm	Dim	Inch	cm
A	14.75"	37.5	E	4.63"	117.0
B	57.53"	146.1	F	14.38"	36.5
C	60.00"	152.4	G	17.41"	44.2
D	48.00"	121.9			

## CHEM-FEED® Duplex Wall Skid System Matrix

**CFWS-2** Duplex pump system - single chemical / single outlet, PE structure

### Inlet/Outlet

<b>A</b>	Single Inlet / Single Outlet
<b>X</b>	None, Skid Panel Only

### Piping/Unions

<b>A</b>	PVC	<b>C</b>	PVDF
<b>B</b>	CPVC	<b>D</b>	CHEM PROLINE®

### Seals

<b>V</b>	FKM	<b>E</b>	EPDM
----------	-----	----------	------

### Tubing Connections

<b>A</b>	1/2" ID PVC Braided	<b>C</b>	1/4" ID PE
<b>B</b>	1/2" ID PTFE	<b>D</b>	1/4" ID PTFE

### Calibration Column

<b>A</b>	64 GPH (4000 ml) PVC	<b>F</b>	1.6 GPH (100 ml) PVC
<b>B</b>	32 GPH (2000 ml) PVC	<b>P</b>	16 GPH (1000 ml) Glass
<b>C</b>	16 GPH (1000 ml) PVC	<b>Q</b>	8 GPH (500 ml) Glass
<b>D</b>	8 GPH (500 ml) PVC	<b>R</b>	4 GPH (250 ml) Glass
<b>E</b>	4 GPH (250 ml) PVC	<b>S</b>	1.6 GPH (100 ml) Glass

### Pulsation Dampener

<b>P</b>	10 cubic in	<b>X</b>	Not Included
----------	-------------	----------	--------------

### Back Pressure Valve

<b>B</b>	Included	<b>X</b>	Not Included
----------	----------	----------	--------------

### Pressure Gauge w/Guard

<b>A</b>	200 PSI	<b>B</b>	100 PSI	<b>C</b>	30 PSI
----------	---------	----------	---------	----------	--------

### Pressure Switch w/Guard

<b>S</b>	Included	<b>X</b>	Not Included
----------	----------	----------	--------------

### Flow Meter w/Strainer

<b>A</b>	10-5000 mL/min
<b>B</b>	100-10000 mL/min
<b>X</b>	Not Included

<b>CFWS-2</b>	<b>I</b>	<b>A</b>	<b>A</b>	<b>V</b>	<b>A</b>	<b>A</b>	<b>P</b>	<b>B</b>	<b>A</b>	<b>S</b>	<b>A</b>	<b>X</b>	<b>X</b>	<b>Sample Model Number</b>
---------------	----------	----------	----------	----------	----------	----------	----------	----------	----------	----------	----------	----------	----------	----------------------------