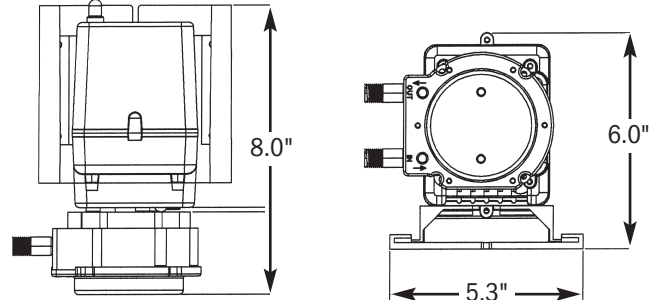
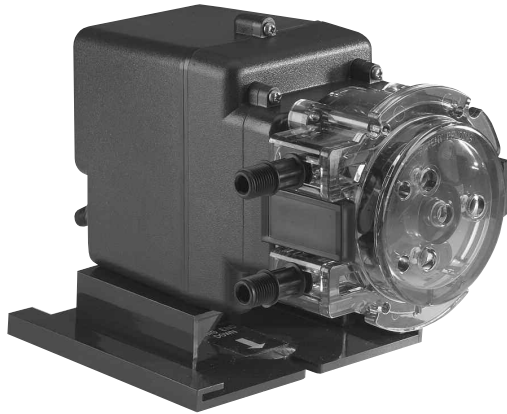
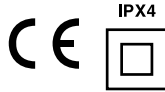
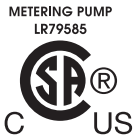
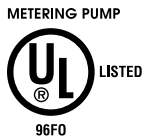


CLASSIC SERIES SINGLE HEAD FIXED SPECIFICATIONS

STENNER PUMPS®



Shipping Weight 8 lbs (3.4 kg)



THIS PUMP IS TESTED AND CERTIFIED BY WQA ACCORDING TO NSF/ANSI 61 FOR CONTACT WITH SODIUM HYPOCHLORITE AND WATER ONLY AND NSF/ANSI 372.



Intertek
94247
**CONFORMS TO
ANSI/NSF STD. 50**
Equipment for swimming pools,
spas, hot tubs and other
recreational water facilities.
USE ONLY WITH ANSI/NSF 50
LISTED CONTROLLERS

Listings vary by model

FEATURES

- Fixed flow rate output
- Self-priming, does not lose prime or vapor lock
- Pumps off-gassing solutions and can run dry
- 3-point roller design assists with anti-siphon
- Tube replacement without tools
- Output reproducibility
- Tube lubrication not required
- Foot valve not required to prime
- Output volume not affected by back pressure
- Tubes and pump heads interchangeable between models
- Installation accessories included

CLASSIC SERIES SINGLE HEAD FIXED SPECIFICATIONS

STENNER PUMPS®

SPECIFICATIONS

Flow Rate Output Control Fixed output
Maximum Working Pressure
 25 psi (1.7 bar), 100 psi (6.9 bar)
Maximum Operating Temperature
 125°F (52°C)
Maximum Suction Lift
 25 ft (7.6 m) vertical lift, based on water
Motor Type 1/30 HP, shaded pole, class B
Shaft RPM (average maximum) 26 or 44
Duty Cycle Continuous
Motor Voltage (Amp Draw)
 120V 60Hz 1PH (1.7)
 220V 60Hz 1PH (0.9)
 230V 50Hz 1PH (0.9)
 250V 50Hz 1PH (0.9)
Power Cord Type
 120V 60Hz, 220V 60Hz: SJTOW
 230V 50Hz, 250V 50Hz: H05VV-F
Power Cord Plug End
 120V 60Hz NEMA 5-15P
 220V 60Hz NEMA 6-15P
 230V 50Hz CEE CEE7/7
 250V 50Hz CEE CEE7/7

MATERIALS OF CONSTRUCTION

All Housings Polycarbonate
Pump Tube
 Santoprene** (FDA approved) or Versilon***
Check Valve Duckbill
 Santoprene** (FDA approved) or Pellethane**
Pump Head Rollers Polyethylene
Roller Bushings Oil impregnated bronze
Suction/Discharge Tubing, Ferrules
 Polyethylene (FDA approved)
Tube and Injection Fittings
 PVC or Polypropylene (both NSF listed)
Connecting Nuts
 PVC or Polypropylene (both NSF listed)
3/8" Adapter
 PVC or Polypropylene (both NSF listed)
Suction Line Strainer and Cap
 PVC or Polypropylene (both NSF listed);
 ceramic weight
All Fasteners Stainless steel
Pump Head Latches Polypropylene

ACCESSORIES

3 Connecting nuts 1/4" or 3/8"
3 Ferrules 1/4" or 6 mm *Europe*
1 Injection check valve 100 psi (6.9 bar) max.
 OR **1** Injection fitting 25 psi (1.7 bar) max.
1 Weighted suction line strainer
 1/4", 3/8" or 6 mm *Europe*
1 20' Roll suction/discharge tubing
 1/4" or 3/8", white or UV black
 OR 6 mm White *Europe*
1 Additional pump tube
2 Additional latches
1 Mounting bracket
1 Manual

* Santoprene® is a registered trademark of Exxon Mobil Corporation.

** Versilon® is a registered trademark of Saint-Gobain Performance Plastics.

† Pellethane® is a registered trademark of Lubrizol Advanced Materials, Inc.

FLOW RATE OUTPUT CHART

Single Head Fixed - Flow Rate Output Chart 25 psi (1.7 bar) maximum

| | Model | Item Number Prefix | Pump Tube | Gallons per Day | Gallons per Hour | Ounces per Minute | Liters per Day | Liters per Hour | Milliliters per Minute | Liters per Day | Liters per Hour | Milliliters per Minute |
|-----------|-------|--------------------|-----------|-----------------|------------------|-------------------|----------------|-----------------|---------------------------|----------------|---------------------------|------------------------|
| 45 SERIES | 45MP1 | 45MFL1 | 1 | 3.0 | 0.13 | 0.27 | 11.4 | 0.48 | 7.92 | 9.1 | 0.38 | 6.32 |
| | 45MP2 | 45MFL2 | 2 | 10.0 | 0.42 | 0.89 | 37.9 | 1.58 | 26.32 | 30.3 | 1.26 | 21.04 |
| | 45MP3 | 45MFL3 | 3 | 22.0 | 0.92 | 1.96 | 83.3 | 3.47 | 57.85 | 66.6 | 2.78 | 46.25 |
| | 45MP4 | 45MFL4 | 4 | 35.0 | 1.46 | 3.11 | 132.5 | 5.52 | 92.01 | 106.0 | 4.42 | 73.61 |
| | 45MP5 | 45MFL5 | 5 | 50.0 | 2.08 | 4.44 | 189.3 | 7.89 | 131.43 | 151.4 | 6.31 | 105.14 |
| 85 SERIES | 85MP1 | 85MFL1 | 1 | 5.0 | 0.21 | 0.44 | 18.9 | 0.79 | 13.13 | 15.1 | 0.63 | 10.49 |
| | 85MP2 | 85MFL2 | 2 | 17.0 | 0.71 | 1.51 | 64.4 | 2.68 | 44.65 | 51.5 | 2.15 | 35.76 |
| | 85MP3 | 85MFL3 | 3 | 40.0 | 1.67 | 3.55 | 151.4 | 6.31 | 105.14 | 121.1 | 5.05 | 84.10 |
| | 85MP4 | 85MFL4 | 4 | 60.0 | 2.50 | 5.33 | 227.1 | 9.46 | 157.71 | 181.7 | 7.57 | 126.18 |
| | 85MP5 | 85MFL5 | 5 | 85.0 | 3.54 | 7.55 | 321.8 | 13.40 | 223.40 | 257.4 | 10.73 | 178.75 |
| | | | | | | | | | Approximate Output @ 60Hz | | Approximate Output @ 50Hz | |

Single Head Fixed - Flow Rate Output Chart 100 psi (6.9 bar) maximum

| | Model | Item Number Prefix | Pump Tube | Gallons per Day | Gallons per Hour | Ounces per Minute | Liters per Day | Liters per Hour | Milliliters per Minute | Liters per Day | Liters per Hour | Milliliters per Minute |
|-----------|----------|--------------------|-----------|-----------------|------------------|-------------------|----------------|-----------------|---------------------------|----------------|---------------------------|------------------------|
| 45 SERIES | 45MPHP2 | 45MFH1 | 1 | 3.0 | 0.13 | 0.27 | 11.4 | 0.48 | 7.92 | 9.1 | 0.38 | 6.32 |
| | 45MPHP10 | 45MFH2 | 2 | 10.0 | 0.42 | 0.89 | 37.9 | 1.58 | 26.32 | 30.3 | 1.26 | 21.04 |
| | 45MPHP22 | 45MFH7 | 7 | 22.0 | 0.92 | 1.96 | 83.3 | 3.47 | 57.85 | 66.6 | 2.78 | 46.25 |
| 85 SERIES | 85MPHP5 | 85MFH1 | 1 | 5.0 | 0.21 | 0.44 | 18.9 | 0.79 | 13.13 | 15.1 | 0.63 | 10.49 |
| | 85MPHP17 | 85MFH2 | 2 | 17.0 | 0.71 | 1.51 | 64.4 | 2.68 | 44.65 | 51.5 | 2.15 | 35.76 |
| | 85MPHP40 | 85MFH7 | 7 | 40.0 | 1.67 | 3.55 | 151.4 | 6.31 | 105.14 | 121.1 | 5.05 | 84.10 |
| | | | | | | | | | Approximate Output @ 60Hz | | Approximate Output @ 50Hz | |

* Injection check valve included with pumps rated 100 psi (6.9 bar) maximum.

NOTICE: The information within this chart is solely intended for use as a guide. The output data is an approximation based on pumping water under a controlled testing environment. Many variables can affect the output of the pump. Stenner Pump Company recommends that all metering pumps undergo field calibration by means of analytical testing to confirm their outputs. The information contained in this flyer is not intended for specific application purposes. Stenner Pump Company reserves the right to make changes to prices, products, and specifications at any time without prior notice.