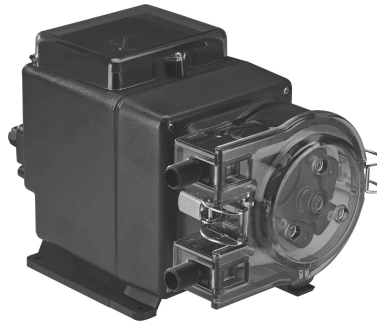


S128 MEDICATOR SPECIFICATIONS

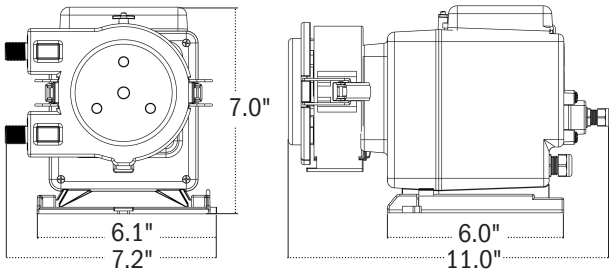
STENNER PUMPS®



THIS PUMP IS TESTED AND CERTIFIED BY IAPMO RST ACCORDING TO ANSI/NSF 61 FOR CONTACT WITH SODIUM HYPOCHLORITE AND WATER ONLY AND REFINISH 172.



Listings vary by model



Shipping Weight 9 lbs (3.7 kg)

SPECIFICATIONS

Flow Rate Output Control Fixed rate, interfaces with water meter

Reproducibility ±2%

Maximum Working Pressure 60 psi (4.1 bar)

Maximum Suction Lift 25 ft (7.6 m) vertical lift, based on water

Motor Type Brushless DC motor

Shaft rpm (average maximum) 45

Duty Cycle Continuous

Maximum Viscosity 1500 Centipoise

Motor Voltage (Amp Draw) 120V 60Hz 1PH (0.6)

Power Cord Type 120V 60Hz SJTOWA

Power Cord Plug End 120V 60Hz 5-15P

Power Cord Length 6 ft (1.8 m)

Classification Indoor/Outdoor

MATERIALS OF CONSTRUCTION

All Housings Polycarbonate

Pump Tube Santoprene® (FDA approved)

Ball Check Valve Components

Ceramic ball (FDA approved); Tantalum spring; FKM seat & O-ring OR

Ceramic ball (FDA approved); Stainless steel spring; EPDM seat; Santoprene® O-ring

Pump Head Rollers Polyethylene

Roller Bushings Oil impregnated bronze

Suction/Discharge Tubing Polyethylene (FDA approved)

Tube Fittings, Injection Fittings PVC or Polypropylene (both NSF listed)

Connecting Nuts PVC or Polypropylene (both NSF listed)

Suction Line Strainer and Cap PVC or Polypropylene, (both NSF listed); ceramic weight

All Fasteners Stainless steel

Pump Head Latches Stainless steel

Leak Detect Components Hastelloy

NOTE: Refer to the chemical guide for material compatibility.

Santoprene® is a registered trademark of Exxon Mobil Corporation.

Versilon® is a registered trademark of Saint-Gobain Performance Plastics.

Pellethane® is a registered trademark of Lubrizol Advanced Materials, Inc.

Hastelloy® is a registered trademark of Haynes International, Inc.

FEATURES

- Injection of solutions at 1:128 ratio
- Speed adjusts to evenly inject solution at low flows
- Accepts pulse rates of 1 PPG, 10 PPG and 1 PPL
- Standby input option to stop or start pump remotely
- Leak detection with output relay
- Built-in dry contact signal repeater
- Accepts input from a fluid level device with output relay
- Totally enclosed housing
- 2 year warranty
- Self-priming, does not lose prime or vapor lock

ACCESSORIES

- 3 Connecting nuts 3/8"
- 1 Ball check valve
- 1 Weighted suction line strainer 3/8"
- 1 20' Roll suction/discharge tubing 3/8", white or UV black
- 1 Additional pump tube
- 1 Mounting bracket
- 1 Manual
- 1 Reference poster

FLOW RATE OUTPUT

Item Number Prefix	Pump Tube	Ounces per Minute	Milliliters per Minute
S4M8X	8X	10.0	295.7

—Approximate Outputs @ 50/60Hz—



NOTICE: The information within this chart is solely intended for use as a guide. The output data is an approximation based on pumping water under a controlled testing environment. Many variables can affect the output of the pump. Stenner Pump Company recommends that all metering pumps undergo field calibration by means of analytical testing to confirm their outputs. The information contained in this flyer is not intended for specific application purposes. Stenner Pump Company reserves the right to make changes to prices, products, and specifications at any time without prior notice.