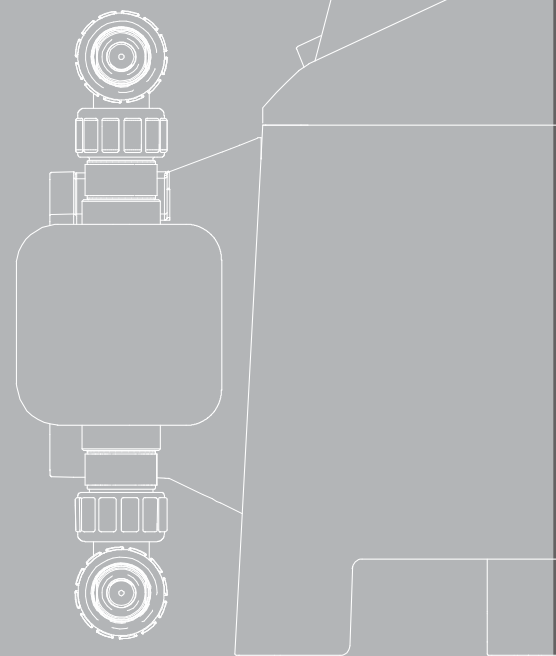


# INDUSTRIAL

Diaphragm  
Metering Pumps

**Blue-White**<sup>®</sup>



# CD1

## CHEM-FEED® Multi-Diaphragm Metering Pump



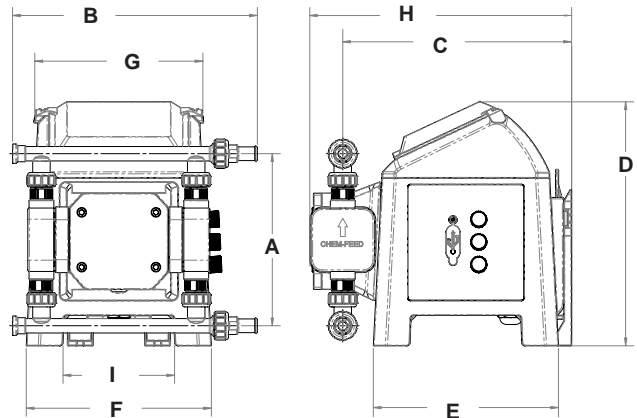
- > Smooth chemical dosing, no pulsation dampener needed
- > Diaphragm Failure Detection system senses diaphragm failure
- > Remote Start/Stop
- > Relay outputs include a single 250V/3A and a single solid state
- > SCADA I/O include: 4-20 mA input, 4-20 mA output
- > Straight or Elbow fitting options (1/4" x 3/8" tube connections, 1/2" MNPT, 1/2" Hose Barb)

### Highlights

<b>Flow range</b> .004 - 8.0 GPH .016 - 30.3 LPH (at 0 PSI)	<b>Pressures up to</b> 150 PSI (10.3 bar)	<b>Turndown ratio</b> 2,000 : 1	<b>Suction lift</b> 20 ft. at 0 PSI
<b>Exclusive</b> Diaphragm Failure Detection (DFD)	<b>Motor</b> Brushless DC	<b>Weight</b> 8.5 lb. (3.8 Kg)	<b>Warranty</b> 2 Years

### Dimensions

Dim	Inch	Cm	Dim	Inch	Cm
A	6.67"	16.94	F	7.18"	18.23
B	9.49"	24.10	G	6.52"	16.55
C	8.87"	22.54	H	10.40"	26.41
D	9.46"	24.02	I	4.32"	10.98
E	7.18"	18.23			



### What's in the box

CD1 Multi-Diaphragm Metering Pump  
**Option "B", "C", "M", and "X" Fitting Models**  
 Discharge injection fitting with check valve, PVDF/Aflas  
 Suction foot valve / strainer, PVDF  
 Mounting hardware kit  
 Display shield  
 Instruction manual

(M12 cables not included)

#### Option "S" and "T" Fitting Models

Discharge injection fitting with check valve, PVDF/Aflas  
 Suction foot valve / strainer, PVDF  
 Suction tube – clear PVC – 5' length (3/8" OD, 1/4" ID)  
 Suction ceramic weight  
 Discharge tube – opaque polyethylene – 5' length (3/8" OD, 1/4" ID)  
 Mounting hardware kit  
 Display shield  
 Instruction manual



# Model Number Matrix

## CHEM-FEED® Model Number

<b>CD1</b>	CHEM-FEED® Diaphragm Metering Pump				
<b>Control</b>					
<b>F</b>	Standard Control Methods (Manual, Remote, FVS)				
<b>V</b>	4-20mA Input, 4-20mA Output, in addition to Standard Control Methods (Manual, Remote, FVS)				
<b>Diaphragm and O-Rings Material</b>					
<b>V</b>	DiaFlex® Diaphragms and TFE/P O-Rings				
<b>W</b>	Flex-A-Prene® Diaphragms and TFE/P O-Rings				
<b>D</b>	DiaFlex® Diaphragms and EP O-Rings				
<b>E</b>	Flex-A-Prene® Diaphragms and EP O-Rings				
<b>Pump Fittings (Inlet / Outlet)</b>					
<b>B</b>	1/2" ID Barb Straight Fittings				
<b>C</b>	1/2" ID Barb Elbow Fittings				
<b>S</b>	1/4" x 3/8" Compression Straight Fittings				
<b>T</b>	1/4" x 3/8" Compression Elbow Fittings				
<b>M</b>	1/2" M/NPT Straight Fittings				
<b>X</b>	1/2" M/NPT Elbow Fittings				
<b>Power Cord - Removable (Operating voltage requirement 96VAC to 264VAC)</b>					
<b>4</b>	115V 50/60Hz, power cord NEMA 5/15 plug (US)				
<b>6</b>	220V 50/60Hz, power cord CEE 7/V11 plug (EU)				
<b>X</b>	No Power Cord Provided (Power cord is required - See accessories for power cord options)				
<b>CD1</b>	<b>F</b>	<b>V</b>	<b>B</b>	<b>4</b>	<b>Sample Model Number</b>

## Accessories



**KIT-S07**  
**KIT-S15**  
**KIT-S30**

\* Includes cover and foot valve

KIT-S07 (7 Gallon), KIT-S15 (15 Gallon), KIT-S30 (30 Gallon)  
STAR III TANKS, PP



**KIT-PSM**  
WALL MOUNT BRACKET, HDPE



**CABLE-UAC**  
USB A-C CABLE - 3 ft

**POWER CABLES - 6 ft**  
90010-663 115V/60Hz NEMA 5/15  
90010-664 220V/50Hz CEE 7/V11  
90010-665 230V/50Hz BS 1363/A  
90010-666 240V/50Hz AS 3112  
90010-696 230V/60Hz NEMA 6/15  
90010-821 115V Lockable

**POWER CABLES**



**KIT-M12**  
TWO M12 CABLES - 9.8 ft



**KIT-CQA (Aflas) / KIT-CQE (EP)**  
QUICK CONNECT KIT MD1

**Teflon Ball Check Cartridge Valve Kit (PVDF body, TFE/P O-rings, PTFE balls) 4 cartridges included.**

**KIT-DVA1-P PTFE Ball Check**

Visit Accessory Pages for More Options

# CD3

## CHEM-FEED® Multi-Diaphragm Metering Pump

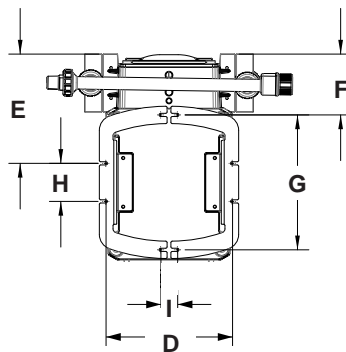
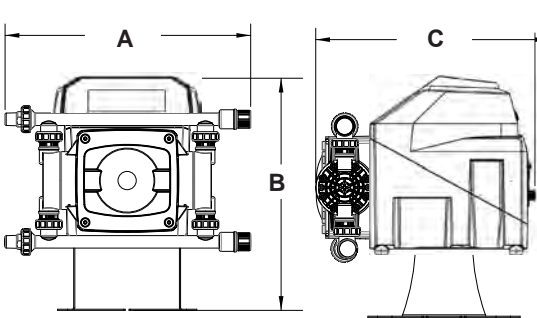


- > Diaphragm Failure Detection system senses diaphragm failure
- > Exclusive Patented DiaFlex® PVDF single-layer diaphragm
- > Smooth chemical dosing, no pulsation dampener needed
- > Multi-diaphragm technology eliminates vapor locking
- > Signal inputs include: 4-20mA, pulse inputs, and remote start/stop
- > Communications Protocols: Ethernet IP, Profibus DP, Modbus TCP

### Highlights

<b>Flow range</b> .05 - 52.6 GPH .2 - 199 LPH (at 0 PSI)	<b>Pressures up to</b> 145 PSI (10 bar)	<b>Turndown ratio</b> 1,000 : 1	<b>Suction lift</b> 19 ft. Water, 0 psig (6.2 m, 0 bar)
<b>Exclusive</b> Diaphragm Failure Detection (DFD)	<b>Motor</b> Brushless DC Motor	<b>Weight</b> 48 lb. (21.77 Kg)	<b>Warranty</b> 2 Years

### Dimensions



Dim	Inch	cm	Dim	Inch	cm
A	16.13"	40.97	F	4.00"	10.15
B	16.29"	41.37	G	8.86"	22.50
C	14.12"	35.86	H	2.50"	6.35
D	8.30"	21.08	I	1.10"	2.79
E	7.24"	18.37			

### What's in the box

- CD3 Multi-Diaphragm Metering Pump
- Suction foot valve, PVDF, 1/2" MNPT or 1/2" Hose Barb
- Injector, PVDF, 1/2" MNPT or 1/2" Hose Barb
- Mounting hardware kit, including extended mounting brackets
- Fitting Kit (model specific)
  - "X" = 1/2" M/NPT Elbow connections, or
  - "M" = 1/2" M/NPT Straight connections, or
  - "B" = 1/2" Hose Barb Straight connections, or
  - "C" = 1/2" Hose Barb Elbow connections
  - Union nuts
- QR Code link to Operating Manual
- Not included: Suction Tubing, Discharge Tubing, M12 Cables.**

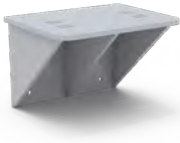






# Model Number Matrix

## CHEM-FEED® Model Number

<b>CD3S</b>	CHEM-FEED® Multi-Diaphragm Metering Pump							
<b>Maximum Strokes per Minute</b>								
<b>2</b>	380 SPM (190 RPM)							
<b>Input Voltage / Power Cord</b>								
<b>4</b>	115V / 60Hz, power cord NEMA 5/15 plug (US)							
<b>5</b>	230V / 60Hz, power cord NEMA 6/15 plug (US)							
<b>6</b>	220V / 50HZ, power cord CEE 7/VII plug (EU)							
<b>8</b>	240V / 50HZ, power cord AS 3112 plug (Australia/New Zealand)							
<b>9</b>	230V / 50HZ, power cord BS 1363/A plug (United Kingdom)							
<b>X</b>	No Power Cord (Pump requires power cord. See accessories for other power cord options)							
<b>Stroke Length / Diaphragm Size</b>								
<b>4</b>	.090" Stroke - Large Diaphragm							
<b>Electrical</b>								
<b>X</b>	Standard Equipment - C13 power cord connector, six M12 signal connectors, Ethernet/Modbus port & Profibus M12 connector.							
<b>Elastomer Material (O-Rings)</b>								
<b>V</b>	DiaFlex® Diaphragms and TFE/P O-rings (For most chemicals, not compatible with Sodium Hydroxide and Aqueous Ammonia)							
<b>E</b>	Flex-A-Prene® Diaphragms and EPDM O-rings (for Sodium Hydroxide and Aqueous Ammonia)							
<b>Pump Head Fittings and Foot Valve</b>								
<b>X</b>	1/2" M/NPT Elbow Fittings & 1/2" M/NPT Footvalve							
<b>M</b>	1/2" M/NPT Straight Fittings & 1/2" M/NPT Footvalve							
<b>B</b>	1/2" Barb Straight Fittings & 1/2" Barb Footvalve							
<b>C</b>	1/2" Barb Elbow Fittings & 1/2" Barb Footvalve							
<b>Check Balls</b>								
<b>(Blank)</b>	Standard							
<b>H</b>	PTFE balls (double ball check valves) low viscosity/density fluids only							
<b>CD3S</b>	<b>2</b>	<b>4</b>	<b>4</b>	<b>X</b>	<b>V</b>	<b>X</b>	<b>-</b>	<b>Sample Model Number</b>

### Accessories

 <p><b>KIT-PSM</b> Wall Mount Bracket, HDPE</p>	 <p><b>71000-579</b> PVDF INJECTOR, 1/2" Hose Barb <b>71000-577</b> PVDF INJECTOR, 1/2" MNPT</p>	 <p><b>76001-361</b> Suction Tubing, Clear PVC, 1/2" ID, 8ft <b>90008-437</b> Discharge Tubing, Braided PVC, 1/2" ID</p>	<p><b>Ball Check Cartridge Options</b></p> <p><b>20000-228 (2 req.)</b> Ball Check Cart. Hastelloy Balls <b>70001-409 (4 req.)</b> Ball Check Cart., Single Ceramic Ball with Hastelloy Spring</p>
 <p><b>KIT-M12</b> Two M12 Cables - 9.8 ft.</p>	 <p><b>KIT-DP3</b> Profibus Cable, 3 ft</p>	<p>90010-663 115V/60Hz NEMA 5/15 90010-664 220V/50Hz CEE 7/V11 90010-665 230V/50Hz BS 1363/A 90010-666 240V/50Hz AS 3112 90010-696 230V/60Hz NEMA 6/15 90010-711 115V Lockable</p> <p><b>POWER CABLES - 6 ft</b></p>	<p><b>Visit Accessory Pages for More Options</b></p>

# C2

## CHEM-FEED® Diaphragm Metering Pump



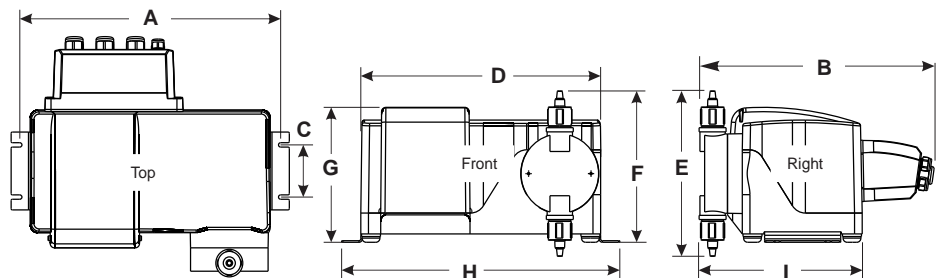
- > Built-in leak detection (DFD) senses diaphragm failure
- > Exclusive Patented DiaFlex® diaphragm
- > Signal inputs include: 4-20mA, pulse inputs, and Remote start/stop
- > Signal outputs include: Relay (3 amp) for DFD/FVS

### Highlights

<b>Flow range</b>	<b>Pressures up to</b>	<b>Turndown ratio</b>	<b>Suction lift</b>
.02 - 16.5 GPH .09 - 62.5 LPH	175 PSI (12 bar)	100 : 1	15 ft. Water, 0 psig (4.5 m, 0 bar)
<b>Exclusive</b>	<b>Motor</b>	<b>Weight</b>	<b>Warranty</b>
Diaphragm Failure Detection (DFD)	Brushed DC	31 lb. (14.06 Kg)	2 Years

### Dimensions

Dim	Inch	cm	Dim	Inch	cm
A	14.1"	35.8	F	7.3"	18.5
B	11.5"	29.2	G	6.5"	16.4
C	2.5"	6.4	H	15"	38.1
D	13.1"	33.3	I	8"	20.3
E	7.9"	20.1			



**NOTE:** Optional Extended Bracket adds 4.5" (11.43cm) to overall height (dimension F and G).

### What's in the box

- C2 Diaphragm Metering Pump
- Discharge injection fitting with check valve
- Option "A,B,C"** – ½" ID x ¾" OD tubing pump head
  - ½" hose barb injector • ½" hose barb foot valve
  - Tubing and hose clamp
- Option "D"** – ¼" ID x ¾" OD Tubing pump head
  - Suction foot valve and ceramic weight
  - Injector, suction tubing - 10 ft.
  - discharge tubing - 10ft.

- Option "E"** – ½" M/NPT inlet and outlet, with ½" M/NPT injection fitting
  - ½" M/NPT injector • ½" M/NPT foot valve
- Option "F"** – ½" F/NPT inlet and outlet, with ½" M/NPT injection fitting
  - ½" M/NPT injector • ½" M/NPT foot valve
- Mounting hardware kit
- Junction box connectors
- QR Code link to Operating manual



# Model Number Matrix


## Model Number

<b>C2</b>	Diaphragm metering pump							
<b>Series</b>								
<b>F</b>	Single manual output control (manual/local control only)							
<b>V</b>	Multiple automatic input output control and alarm modes (remote control)							
<b>Input Voltage</b>								
<b>4</b>	115V / 60Hz, power cord NEMA 5/15 plug (US)			<b>8</b>	240V / 50HZ, power cord AS 3112 plug (AU/New Zealand)			
<b>5</b>	230V / 60Hz, power cord NEMA 6/15 plug (US)			<b>9</b>	230V / 50HZ, power cord BS 1363 plug (UK)			
<b>6</b>	220V / 50Hz, power cord CEE 7/VII plug (EU)							
<b>CAM Stroke Length and Diaphragm Size</b>								
<b>1</b>	.060" (1.52 mm) stroke with small diaphragm   .10–10 GPH   175 PSI							
<b>2</b>	.060" (1.52 mm) stroke with large diaphragm   .165–16.5 GPH   175 PSI							
<b>3</b>	.040" (1.02 mm) stroke with small diaphragm   .067–6.7 GPH   175 PSI							
<b>5</b>	.040" (1.02 mm) stroke with Micro-Feed   .02–2.3 GPH   150 PSI							
<b>6</b>	.060" (1.52 mm) stroke with Micro-Feed   .04–4.0 GPH   150 PSI							
<b>Electrical Options</b>								
<b>X</b>	Standard equipment							
<b>Elastomer Material (o-rings)</b>								
<b>V</b>	TFE/P			<b>E</b>	EP (Ethylene Propylene)			
<b>Fitting Connection Types</b>								
<b>A</b>	1/2" Hose Barb Inlet, 1/2" Male NPT Outlet, with 1/2" Male NPT Injection Fitting							
<b>B</b>	1/2" Hose Barb Inlet, 1/2" Female NPT Outlet, with 1/2" Male NPT Injection Fitting							
<b>C</b>	1/2" Hose Barb Inlet and Outlet, with 1/2" ID Hose Barb Injection Fitting							
<b>D</b>	3/8" OD Tube Compression Inlet, Outlet, and Injection Fitting							
<b>E</b>	1/2" Male NPT Inlet and Outlet, with 1/2" Male NPT Injection Fitting							
<b>F</b>	1/2" Female NPT Inlet and Outlet, with 1/2" Male NPT Injection Fitting							
<b>Diaphragm Type</b>								
<b>(Blank)</b>	Standard DiaFlex® Diaphragm							
<b>S</b>	Flex-A-Prene® Diaphragm (Caustic Soda resistant diaphragm)							
<b>C2</b>	<b>F</b>	<b>2</b>	<b>4</b>	<b>1</b>	<b>X</b>	<b>V</b>	<b>A</b>	<b>Sample Model Number</b>


## Accessories



**KIT-PSM**  
Wall Mount Bracket, HDPE



**71000-555**  
PVDF INJECTOR, 1/4" ID tubing  
**71000-579**  
PVDF INJECTOR, 1/2" Hose Barb  
**71000-577**  
PVDF INJECTOR, 1/2" MNPT



**C-334-6-10**  
Suction Tubing, Clear PVC 1/4"x 3/8", 10 ft  
**C-335-6-25**  
Discharge Tubing, PE, 1/4" x 3/8", 25 ft  
**76001-361**  
Suction Tubing, Clear PVC, 1/2" ID, 8ft  
**90008-437**  
Discharge Tubing, Braided PVC, 1/2" ID

**Ball Check Cartridge Options**

**20000-228**  
Ball Check Cart. Hastelloy Balls  
**20000-229**  
Ball Check Cart. PTFE Balls  
**70001-409 (2 req.)**  
Ball Check Cart., Single Ceramic Ball with Hastelloy Spring

Visit Accessory Pages for More Options

# C3

## CHEM-FEED<sup>®</sup> Diaphragm Metering Pump



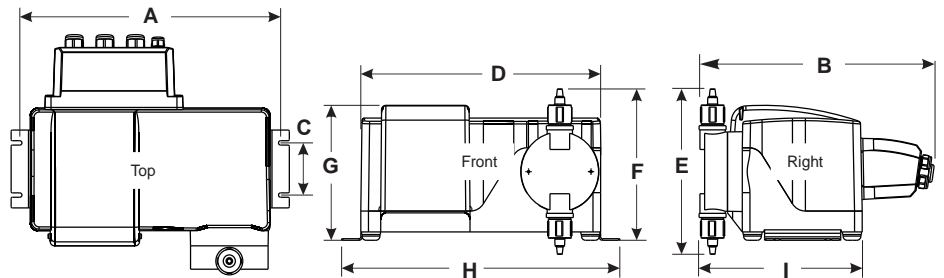
- > Built-in leak detection (DFD) senses diaphragm failure
- > Exclusive Patented DiaFlex<sup>®</sup> diaphragm
- > Signal inputs include: 4-20mA ("V" Model), pulse inputs ("V" Model), and Remote start/stop
- > Signal outputs include: Relay (3 amp) and 4-20mA ("V" Model)

### Highlights

<b>Flow range</b>	<b>Pressures up to</b>	<b>Turndown ratio</b>	<b>Suction lift</b>
.262 - 40.6 GPH .99 - 154 LPH	150 PSI (10.3 bar)	100 : 1	15 ft. Water, 0 psig (4.5 m, 0 bar)
<b>Exclusive</b>	<b>Motor</b>	<b>Weight</b>	<b>Warranty</b>
Diaphragm Failure Detection (DFD)	Brushed DC	31 lb. (14.06 Kg)	2 Years

### Dimensions

Dim	Inch	cm	Dim	Inch	cm
A	14.1"	35.8	F	7.8"	19.8
B	12"	30.5	G	6.5"	16.5
C	2.5"	6.4	H	15"	38.1
D	13.1"	33.3	I	8"	20.3
E	9"	22.9			



**NOTE:** Optional Extended Bracket adds 4.5" (11.43cm) to overall height (dimension F and G).

### What's in the box

- C2 Diaphragm Metering Pump
- Discharge injection fitting with check valve
- Option "A","B"** – ½" ID x ¾" OD tubing pump head
  - ½" M/NPT injector • ½" hose barb foot valve
- Tubing and hose clamp
- Option "C"** – ½" ID x ¾" OD tubing pump head
  - ½" hose barb injector • ½" hose barb foot valve
- Tubing and hose clamp

- Option "E"** – ½" M/NPT inlet and outlet, with ½" M/NPT injection fitting
  - ½" M/NPT injector • ½" M/NPT foot valve
- Option "F"** – ½" F/NPT inlet and outlet, with ½" M/NPT injection fitting
  - ½" M/NPT injector • ½" M/NPT foot valve
- Mounting hardware kit
- Junction box connectors
- QR Code link to Operating Manual



# Model Number Matrix


## Model Number

<b>C3</b>	Diaphragm metering pump									
<b>Series</b>										
<b>F</b>	Single manual output control (manual/local control only)									
<b>V</b>	Multiple automatic input/output control and alarm modes (remote control)									
<b>Input Voltage</b>										
<b>4</b>	115V / 60Hz, power cord NEMA 5/15 plug (US)				<b>8</b>	240V / 50HZ, power cord AS 3112 plug (AU/New Zealand)				
<b>5</b>	230V / 60Hz, power cord NEMA 6/15 plug (US)				<b>9</b>	230V / 50HZ, power cord BS 1363 plug (UK)				
<b>6</b>	220V / 50HZ, power cord CEE 7/VII plug (EU)									
<b>CAM Stroke Length and Diaphragm Size</b>										
<b>1</b>	.060" (1.52 mm) stroke with large diaphragm   .262–26.2 GPH   150 PSI									
<b>2</b>	.100" (2.54 mm) stroke with large diaphragm   .406–40.6 GPH   100 PSI									
<b>Electrical Options</b>										
<b>X</b>	Standard equipment with "F" Series only									
<b>A</b>	Standard equipment with "V" Series only - includes 4-20ma output									
<b>Elastomer Material (o-rings)</b>										
<b>V</b>	TFE/P				<b>E</b>	EP (Ethylene Propylene)				
<b>Fitting Connection Types</b>										
<b>A</b>	1/2" Hose Barb Inlet, 1/2" Male NPT Outlet, with 1/2" Male NPT Injection Fitting									
<b>B</b>	1/2" Hose Barb Inlet, 1/2" Female NPT Outlet, with 1/2" Male NPT Injection Fitting									
<b>C</b>	1/2" Hose Barb Inlet and Outlet, with 1/2" ID Hose Barb Injection Fitting									
<b>E</b>	1/2" Male NPT Inlet and Outlet, with 1/2" Male NPT Injection Fitting									
<b>F</b>	1/2" Female NPT Inlet and Outlet, with 1/2" Male NPT Injection Fitting									
<b>Diaphragm Type</b>										
<b>(Blank)</b>	Standard DiaFlex® Diaphragm									
<b>S</b>	Flex-A-Prene® Diaphragm (Caustic Soda resistant diaphragms)									
<b>C3</b>	<b>F</b>	<b>2</b>	<b>4</b>	<b>1</b>	<b>X</b>	<b>V</b>	<b>A</b>	<b>Sample Model Number</b>		


## Accessories



**KIT-PSM**  
Wall Mount Bracket, HDPE



**71000-555**  
PVDF INJECTOR, 1/4" ID tubing  
**71000-579**  
PVDF INJECTOR, 1/2" Hose Barb  
**71000-577**  
PVDF INJECTOR, 1/2" MNPT



**C-334-6-10**  
Suction Tubing, Clear PVC 1/4"x 3/8", 10 ft  
**C-335-6-25**  
Discharge Tubing, PE, 1/4" x 3/8", 25 ft  
**76001-361**  
Suction Tubing, Clear PVC, 1/2" ID, 8ft  
**90008-437**  
Discharge Tubing, Braided PVC, 1/2" ID

**Ball Check Cartridge Options**

**20000-228**  
Ball Check Cart. Hastelloy Balls  
**20000-229**  
Ball Check Cart. PTFE Balls  
**70001-409 (2 req.)**  
Ball Check Cart., Single Ceramic Ball with Hastelloy Spring

Visit Accessory Pages for More Options

# C-600P

## CHEM-FEED® Diaphragm Metering Pump



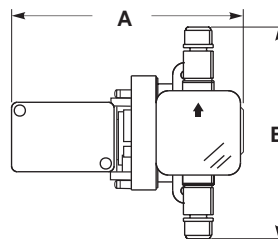
- > All ball bearing, permanently lubricated gear motor
- > Double-ball inlet and outlet cartridge type ceramic check valves
- > Stroke adjustment from 4-100%
- > Fixed speed
- > Mechanical Cam
- > Output Adjustment

### Highlights

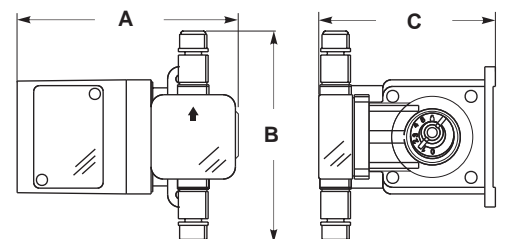
<b>Outputs</b>	<b>Pressures up to</b>	<b>Turndown ratio</b>	<b>Max. fluid temp.</b>
1 - 21.5 GPH 4 - 81.4 LPH	125 PSI (8.6 bar)	27 : 1	130 °F (54 °C)
<b>Max. suction lift</b>	<b>Motor</b>	<b>Weight</b>	<b>Warranty</b>
10 ft. Water 0 psig	AC Shaded Pole	8 lb. (3.63 Kg)	1 Year

### Dimensions

Dim	DC Powered Models		AC Powered Models	
	Inch	cm	Inch	cm
<b>A</b>	7.22"	18.3	10.25"	26
<b>B</b>	6.25"	15.9	7.5"	19
<b>C</b>	5.31"	13.5	14"	35.6



DC Powered Models



AC Powered Models

### What's in the box

- C-600P Diaphragm Metering Pump
- Discharge injection fitting with check valve (C-395N-6A)
- Suction tube – clear PVC – 5' length (3/8" OD, 1/4" ID)
- Suction foot valve / strainer (C-340A)
- Suction ceramic weight
- Discharge tube – opaque polyethylene – 5' length (3/8" OD, 1/4" ID)
- Instruction manual



# Model Number Matrix

## Model Number

<b>C-6</b> CHEM-FEED® Diaphragm Model Number					
<b>Maximum Motor RPM</b>					
<b>14</b>	14 RPM	<b>60</b>	60 RPM		
<b>30</b>	30 RPM	<b>125</b>	125 RPM		
<b>45</b>	45 RPM (Not available in 12V DC)	<b>250</b>	250 RPM (Not available in 12V DC)		
<b>Power Supply Voltage<sup>1</sup></b>					
<b>115VAC</b>	115V60Hz	<b>24VAC</b>	24V60Hz		
<b>220VAC</b>	220V50Hz (20% less output)	<b>12VDC</b>	12V DC		
<b>230VAC</b>	230V60Hz	<b>24VDC</b>	24V DC		
<b>240VAC</b>	240V60Hz				
<b>C-6</b>	<b>14</b>	<b>P</b>	<b>-</b>	<b>115VAC</b>	Sample Model Number

1. All models come with junction box only for wiring, except 220V models which include power cord/plug only.

### Optional Accessories and Components

- 70000-193 PTFE coated FKM diaphragm
- 90010-110 Power Cord with Plug, 115V
- K-568A-4 Bullet Valve (Double Ball), Atlas - 4 Pack
- K-568E-4 Bullet Valve (Double Ball), EP - 4 pack

Visit Accessory Pages for More Options

## Output Specifications

### DC powered models

Maximum Output at 0 PSI					
Strokes/Min RPM	Max PSI	GPD	GPH	LPH	OZ/MIN
14	125	33	1.4	5.3	2.9
30	125	74	3.1	11.7	6.5
45	80	112	4.7	17.8	10.0
60	60	148	6.2	23.5	13.2
125	30	316	13.2	49.9	28.1
250	10	516	21.5	81.4	45.8

### AC powered models

Maximum Output at 0 PSI					
Strokes/Min RPM	Max PSI	GPD	GPH	LPH	OZ/MIN
14	125	24	1.0	3.8	2.7
30	125	58	2.4	9.3	5.2
45	80	91	3.8	14.9	8.1
60	60	110	4.6	17.4	9.8
125	30	237	9.9	37.0	21.1
250	10	389	16.2	61.4	34.6

# C-600HV

## CHEM-FEED® Diaphragm Metering Pump



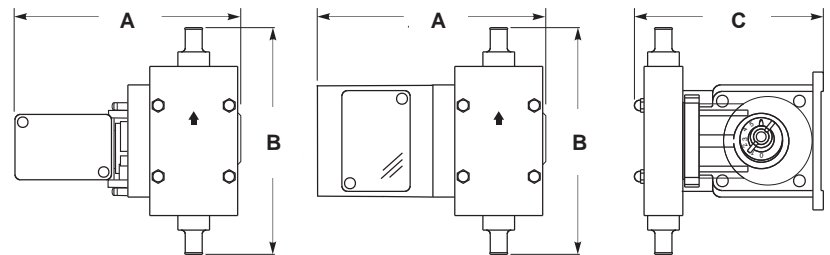
- > All ball bearing, permanently lubricated gear motor
- > High Volume Diaphragm Pump
- > Stroke adjustment from 4-100%
- > Fixed speed
- > Mechanical Cam
- > Output Adjustment

### Highlights

<b>Outputs</b>	<b>Pressures up to</b>	<b>Turndown ratio</b>	<b>Max. fluid temp.</b>
1.74 - 47.1 GPH 6.6 - 178.3 LPH	20 PSI (1.4 bar)	27 : 1	130 °F (54 °C)
<b>Max. suction lift</b>	<b>Motor</b>	<b>Weight</b>	<b>Warranty</b>
10 ft. Water 0 psig	AC Shaded Pole	8 lb. (3.63 Kg)	1 Year

### Dimensions

Dim	DC Powered Models		AC Powered Models	
	Inch	cm	Inch	cm
A	7.22"	18.3	6.75"	17.15
B	7"	17.78	7"	17.78
C	6.13"	15.5	6.13"	15.55



DC Powered Models

AC Powered Models

### What's in the box

- C-600HV Diaphragm Metering Pump
- Discharge injection fitting with check valve (C-3391-10)
- Suction tube – clear PVC – 5' length (3/8" OD, 1/4" ID)
- Suction foot valve / strainer (C-3393-10)
- Suction ceramic weight
- Discharge tube – opaque polyethylene – 5' length (3/8" OD, 1/4" ID)
- Instruction manual



# Model Number Matrix

## Model Number

<b>C-6</b>	CHEM-FEED® High Volume (HV) Diaphragm Model Number				
<b>Maximum Motor RPM</b>					
<b>60</b>	60 RPM				
<b>125</b>	125 RPM				
<b>250</b>	250 RPM (Not available in 12V DC)				
<b>Power Supply Voltage<sup>1</sup></b>					
<b>115VAC</b>	115V60Hz			<b>24VAC</b>	24V60Hz
<b>220VAC</b>	220V50Hz (20% less output)			<b>12VDC</b>	12V DC
<b>230VAC</b>	230V60Hz			<b>24VDC</b>	24V DC
<b>240VAC</b>	240V60Hz				
<b>C-6</b>	<b>60</b>	<b>HV</b>	<b>-</b>	<b>115VAC</b>	Sample Model Number

1. All models come with junction box only for wiring, except 220V models which include power cord/plug only.

**Optional Accessories and Components**  
 C-3106NV FKM Diaphragm  
 F-5012V FKM O-ring (2 req.)  
 C-926V FKM Check (2 req.)  
 90010-110 Power Cord with Plug, 115V

## Output Specifications

### AC powered models

Maximum Output at 0 PSI					
Strokes/Min RPM	Max PSI	GPD	GPH	LPH	OZ/MIN
60	20	268	11.2	42.4	23.8
125	10	568	23.7	89.7	50.5
250	5	1,129	47.1	178.3	100.4

### DC powered models

Maximum Output at 0 PSI					
Strokes/Min RPM	Max PSI	GPD	GPH	LPH	OZ/MIN
60	20	189	7.8	29.5	16.8
125	10	398	16.5	32.4	35.3
250	5	791	32.9	124.5	70.3

**NOTE:** For optimum diaphragm life, specify the pump to operate at the lowest possible RPM and pressure.

# C-1500N

## CHEM-FEED® Diaphragm Metering Pump



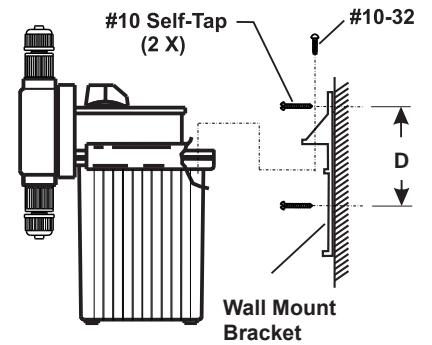
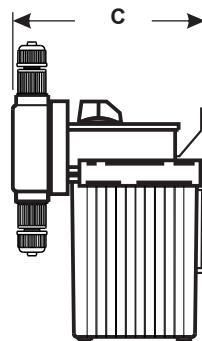
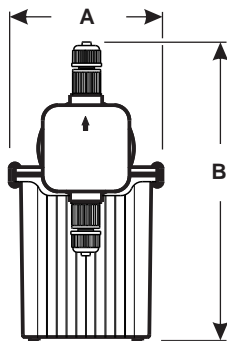
- > All ball bearing, permanently lubricated gear motor
- > Standard Models feature a mechanical stroke length control
- > Efficient design allows for a minimum stroke length of 5%

### Highlights

<b>Outputs</b>	<b>Pressures up to</b>	<b>Turndown ratio</b>	<b>Max. fluid temp.</b>
.2 - 9.5 GPH .5 - 36 LPH	125 PSI (8.6 bar)	20 : 1	130 °F (54 °C)
<b>Max. suction lift</b>	<b>Motor</b>	<b>Weight</b>	<b>Warranty</b>
10 ft. Water 0 psig	AC Shaded Pole	8 lb. (3.18 Kg)	1 Year

### Dimensions

Dim	Inch	cm
A	4.5"	11.43
B	9.06"	23.01
C	5.75"	14.61
D	2.3"	5.84



### What's in the box

- C-1500N Diaphragm Metering Pump
- Discharge injection fitting with check valve
- Suction tube – clear PVC – 5' length (3/8" OD, 1/4" ID)
- Flow indicator
- Suction foot valve / strainer
- Suction ceramic weight
- Discharge tube – opaque polyethylene – 5' length (3/8" OD, 1/4" ID)
- Wall mount bracket
- Instruction manual



