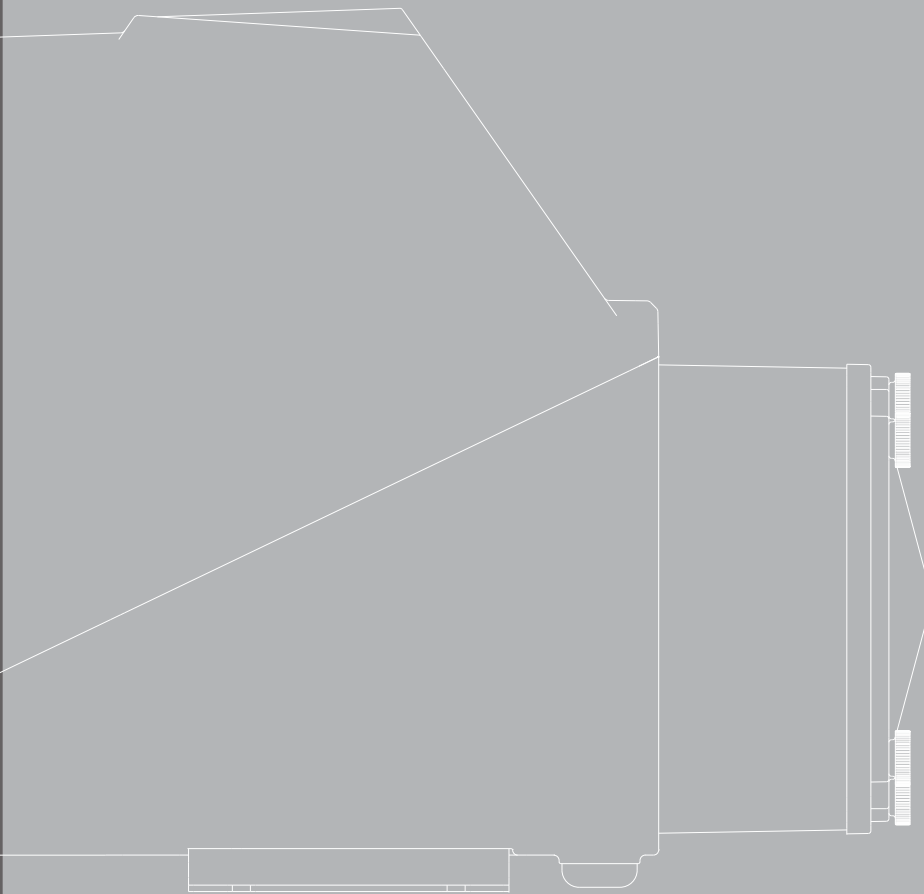


# INDUSTRIAL CATALOG 2025



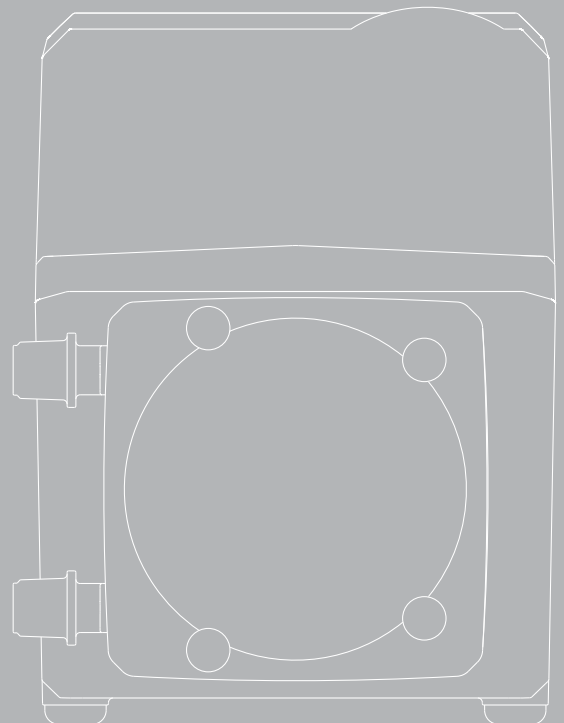
Blue-White<sup>®</sup>



# INDUSTRIAL

Peristaltic  
Metering Pumps

**Blue-White**<sup>®</sup>



# A1

## FLEXFLO® Peristaltic Metering Pump



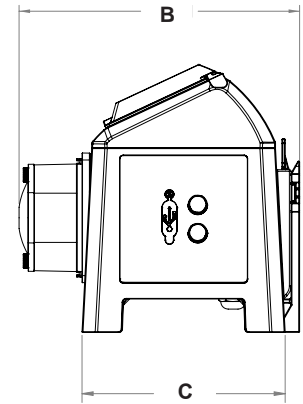
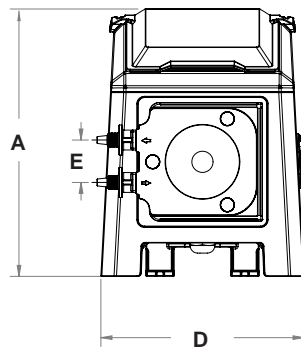
- > Tube Failure Detection senses tube rupture, no false triggering
- > Heavy duty display shield protects pump controls
- > Remote Start/Stop, which is one non-powered dry contact closure
- > Relay outputs include a single 250V/3A and a single solid-state
- > Manual Speed Adjust
- > SCADA I/O: 4-20 mA input, 4-20 mA output

### Highlights

<b>Flow range</b> .001 - 5.60 GPH .011 - 21.2 LPH	<b>Pressures up to</b> 100 PSI (6.89 bar)	<b>Turndown ratio</b> 2,000 : 1	<b>Suction lift</b> 30 ft. Water at sea level (14.7 atm psi)
<b>Exclusive</b> Tube Failure Detection (TFD+)	<b>Motor</b> Brushless DC	<b>Weight</b> 6 lb. (2.7 Kg)	<b>Warranty</b> 2 Years

### Dimensions

Dim	Inch	cm	Dim	Inch	cm
A	9.46"	24.02	D	7.18"	18.23
B	9.92"	25.19	E	1.5"	3.81
C	7.18"	18.23			



### What's in the box

A1 Peristaltic Metering Pump  
Two tube assemblies (one installed, one spare)

**With "T" Compression Tube Fittings:**

Suction tube – clear PVC  
5' length (3/8" OD, 1/4" ID)  
Suction strainer (C-342-6)  
Suction ceramic weight  
Discharge tube – opaque polyethylene  
5' length (3/8" OD, 1/4" ID)  
Discharge injection fitting with 1/2 psi check (A-014NK-6A)

**With "M: MNPT Tube Fittings:**

Suction foot strainer (71000-824)  
Discharge injection fitting with 1/2 psi check (71000-767)

Mounting hardware kit  
Display shield  
Tube nuts (x2)

Instruction manual

**M12 Cables not included.**


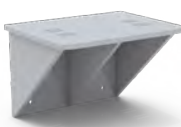







# Model Number Matrix

## FLEXFLO® Model Number

<b>A1</b> FLEXFLO® Peristaltic Metering Pump	
<b>Series</b>	
<b>F</b>	Standard Control Methods (Manual, Remote On/Off)
<b>V</b>	4-20mA Input, 4-20mA Output, In Addition to Standard Control Methods (Manual, Remote)
<b>Power Cord (Operating voltage requirement 96VAC to 264VAC)</b>	
<b>4</b>	115V 50/60Hz, NEMA 5/15 plug (US) <b>6</b> 220V 50/60Hz, CEE 7/11 plug (EU) <b>X</b> No Power Cord
<b>Pump Tube Size and Material</b>	
<b>1</b>	1/4" OD Flex-A-Thane®   0.001 – 1.09 GPH   .035 - 69 mL/Min   65 PSI (4.5 bar)
<b>3</b>	7/16" OD Flex-A-Thane®   0.003 – 5.60 GPH   .176 - 353 mL/Min   50 PSI (3.45 bar)
<b>4</b>	1/4" OD Flex-A-Prene®   0.001 - 0.44 GPH   .014 - 28 mL/Min   100 PSI (6.89 bar)
<b>6</b>	3/8" OD Flex-A-Prene®   0.001 – 1.35 GPH   .043 - 85 mL/Min   100 PSI (6.89 bar)
<b>7</b>	7/16" OD Flex-A-Prene®   0.002 – 4.17 GPH   .132 - 263 mL/Min   50 PSI (3.45 bar)
<b>8</b>	7/16" OD Flex-A-Chem®   0.002 – 3.09 GPH   .098 - 195 mL/Min   50 PSI (3.45 bar)
<b>Inlet/Outlet Connection Size, Connection Type</b>	
<b>T</b>	3/8" OD x 1/4" Tube Compression Fitting
<b>M</b>	1/2" Male NPT Fitting
<b>MB</b>	1/2" Male BSPT Fitting, Natural PVDF (Kynar)
<b>A1</b> <b>F</b> <b>4</b> <b>-</b> <b>1</b> <b>T</b>	<b>Sample Model Number</b>

## Accessories

 <p><b>KIT-S07</b> <b>KIT-S15</b> <b>KIT-S30</b></p> <p>* Includes cover and foot valve</p> <p>KIT-S07 (7 Gallon), KIT-S15 (15 Gallon), KIT-S30 (30 Gallon) STAR III TANKS, PP</p>	 <p><b>KIT-PSM</b> WALL MOUNT BRACKET, HDPE</p>		
<p>90010-663 115V/60Hz NEMA 5/15 90010-664 220V/50Hz CEE 7/11 90010-665 230V/50Hz BS 1363/A 90010-666 240V/50Hz AS 3112 90010-696 230V/60Hz NEMA 6/15 90010-821 115V Lockable</p> <p><b>POWER CABLES - 6 ft</b></p>	 <p><b>CABLE-UAC</b> USB A-C CABLE - 3 ft</p>	 <p><b>KIT-M12</b> TWO M12 CABLES - 9.8 ft</p>	 <p><b>A1-(see spare parts page)</b> Spare Tube Element</p>
 <p><b>TI40-6V</b> T.I. INJECTOR, 3/8" OD</p>	 <p><b>C-340A</b> FOOT VALVE</p>	<p><b>Visit Accessory Pages for More Options</b></p>	

# A2

## FLEXFLO® Peristaltic Metering Pump



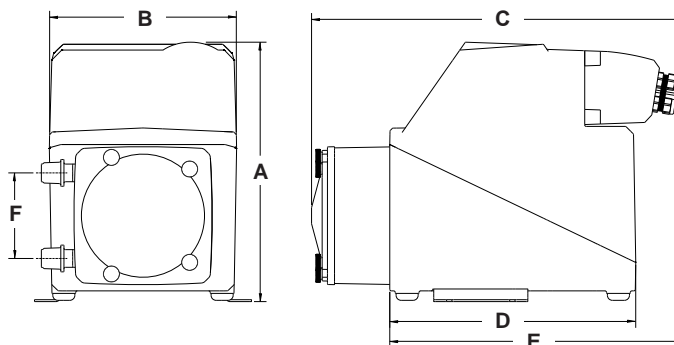
- > Self priming chemical metering pump delivers smooth chemical feed
- > Patented Tube Failure Detection senses tube rupture
- > Signal inputs include: 4-20mA, Pulse Inputs, Frequency Inputs
- > Signal outputs include: Relay (3 amp), 4-20mA (optional), Motor Status

### Highlights

<b>Flow range</b>	<b>Pressures up to</b>	<b>Turndown ratio</b>	<b>Suction lift</b>
.02 - 21.23 GPH .07 - 80.4 LPH	125 (8.6 bar)	100 : 1	30 ft. Water at sea level (14.7 atm psi)
<b>Exclusive</b>	<b>Motor</b>	<b>Weight</b>	<b>Warranty</b>
Tube Failure Detection (TFD)	Brushed DC	28.4 lb. (12.9 Kg)	2 Years

### Dimensions

Dim	Inch	cm	Dim	Inch	cm
A	10.25"	26	D	9.5"	24.1
B	7.5"	19	E	11"	27.9
C	14"	35.6	F	3.38"	8.6



**NOTE:** Optional Extended Bracket adds 4.5" (11.43cm) to overall height (dimension A)

### What's in the box

A2 Peristaltic Metering Pump  
Two tube assemblies (one installed, one spare)  
Tube installation tool  
Mounting hardware kit  
QR Code link to Operating Manual

**With "S" 3/8" OD x 1/4" ID tubing compression type connections:**

- Suction tube – clear PVC – 10' length (3/8" OD, 1/4" ID)
- Suction strainer (C-342-6) and ceramic weight
- Discharge tube – opaque polyethylene – 10' (3/8" OD, 1/4" ID)
- Discharge injector "S", PVDF/Aflas, with 1/2 psi check (A-014NK-6A)

**With "B" 1/2" hose barb type connections:**

- Suction strainer, PVDF with 1/2" Barb. (71000-825)
- Discharge injector "B", PVDF/Aflas with 1/2 psi check (7100-770)

**With "M" MNPT type connections:**

- Suction strainer, PVDF with 1/2" MNPT (71000-824)
- Discharge injector "M", PVDF/Aflas with 1/2 psi check (7100-767)

**No accessories with "C" Tri-clamp and "Q" Quick Disconnect**




# Model Number Matrix

## FLEXFLO® Model Number

<b>A2</b>	FLEXFLO® Peristaltic Metering Pump										
<b>Series Control Options</b>											
<b>V</b>	Multiple automatic input output control and alarm modes (remote control)										
<b>Power Cord (operating voltage requirement 96VAC to 264VAC)</b>											
<b>4</b>	115V / 60HZ, power cord NEMA 5/15 plug (US)				<b>8</b>	240V / 50HZ, power cord AS 3112 plug (AU/New Zealand)					
<b>5</b>	230V / 60HZ, power cord NEMA 6/15 plug (US)				<b>9</b>	230V / 50HZ, power cord BS 1363 plug (UK)					
<b>6</b>	220V / 50HZ, power cord CEE 7/II plug (EU)				<b>X</b>	No Power Cord					
<b>Inlet/Outlet Connection Size, Connection Type, Connection Material</b>											
<b>S</b>	3/8" OD x 1/4" ID Tube Compression Fitting, Natural PVDF (Kynar)										
<b>M</b>	1/2" Male NPT Fitting, Natural PVDF (Kynar)										
<b>B</b>	1/2" ID Tubing Barb Fitting, Natural PVDF (Kynar), available for ND, NEE, NGG, and G2G only										
<b>C</b>	1/2"-3/4" Tri-clamp connections, Natural PVDF (Kynar), available for ND, NEE, NGG, and G2G only										
<b>Q</b>	Quick Disconnect, Natural PVDF (Kynar), available for ND, NEE, NGG, and G2G only (valves sold seperately)										
<b>MB</b>	1/2" Male BSPT Fitting, Natural PVDF (Kynar)										
<b>Pump Tube Material, Pump Tube Size *dual tube</b>											
<b>ND</b>	Flex-A-Prene® .075 ID   .02-1.7 GPH   125 PSI				<b>GE</b>	Flex-A-Thane® .125 ID   .04-4.0 GPH   65 PSI					
<b>NEE*</b>	Flex-A-Prene® .093 ID   .044-4.44 GPH   110 PSI				<b>GG</b>	Flex-A-Thane® .187 ID   .09-9.3 GPH   65 PSI					
<b>NGG*</b>	Flex-A-Prene® .187 ID   .172-17.2 GPH   110 PSI				<b>G2G*</b>	Flex-A-Thane® .312 ID   .15-14.98 GPH   65 PSI					
<b>TH</b>	Flex-A-Chem® .250 ID   .14-14.3 GPH   50 PSI				<b>GH</b>	Flex-A-Thane® .312 ID   .21-21.23 GPH   65 PSI					
<b>mA Output</b>											
<b>(Blank)</b>	Standard										
<b>3</b>	4-20 mA Analog Output										
<b>Pumphead Orientation</b>											
<b>(Blank)</b>	Standard - Left facing pumphead										
<b>R</b>	Right facing pumphead										
<b>D</b>	Down facing pumphead										
<b>A2</b>	<b>V</b>	<b>2</b>	<b>4</b>	<b>-</b>	<b>S</b>	<b>ND</b>	<b>-</b>	<b>3</b>	<b>(Blank)</b>	<b>D</b>	<b>Sample Model Number</b>

## Accessories



1/4" x 3/8" "S" Fitting  
1/2" Hose Barb "B" Fitting  
1/2" MNPT "M" Fitting

**Quick Disconnects**

- \*KIT-QSV FKM O-rings
- \*KIT-QSE EP O-rings
- \*KIT-QSA Atlas O-rings
- \*KIT-QBV FKM
- \*KIT-QBE EP
- \*KIT-QBA Atlas
- \*KIT-QMV FKM
- \*KIT-QME EP
- \*KIT-QMA Atlas



**KIT-PSM**  
Wall Mount Bracket, HDPE



**TI40-6V**  
T.I. INJECTOR, 3/8" OD



**C-340A**  
FOOT VALVE



**A2-(see spare parts page)**  
Spare Tube Element

Visit Accessory Pages for More Options

# A3

## FLEXFLO® Peristaltic Metering Pump



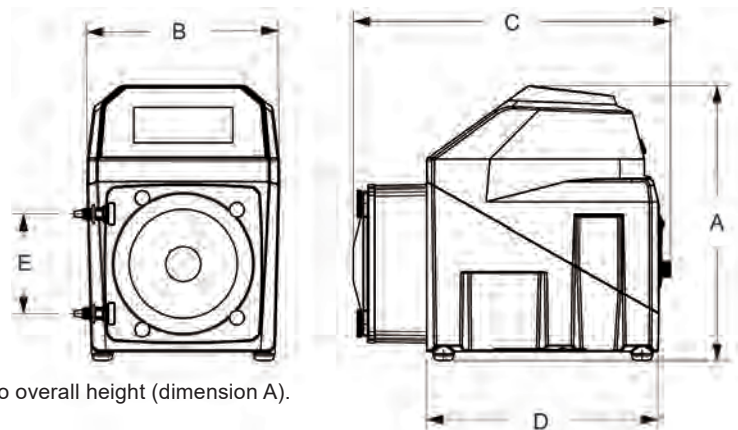
- > Self priming chemical metering pump delivers smooth chemical feed
- > Patented Tube Failure Detection senses tube rupture
- > Signal inputs include: 4-20mA, Pulse Inputs, Frequency Inputs
- > Signal outputs include: 4-20mA, Frequency Output, one 250V/6 AMP relay output, three 125V/1A outputs
- > Communications Protocols: Ethernet IP, Profibus DP, Modbus TCP

### Highlights

<b>Flow range</b>	<b>Pressures up to</b>	<b>Turndown ratio</b>	<b>Suction lift</b>
.001 - 33.3 GPH .003 - 126 LPH	125 PSI (8.6 bar)	2,500 : 1	30 ft. Water, 0 psig (9.14 m, 0 bar)
<b>Exclusive</b>	<b>Motor</b>	<b>Weight</b>	<b>Warranty</b>
Tube Failure Detection (TFD)	Brushless DC	25.4 lb. (11.5 Kg)	2 Years

### Dimensions

Dim	Inch	cm	Dim	Inch	cm
A	11.75"	29.8	D	10.5"	26.5
B	8.25"	20.9	E	4.25"	10.8
C	13.5"	34.5			



**NOTE:** Optional Extended Bracket adds 4.5" (11.43cm) to overall height (dimension A).

### What's in the box

A3 Peristaltic Metering Pump  
Two tube assemblies (one installed, one spare)  
Mounting hardware kit  
QR Code link to Operating Manual

**With "S" 3/8" OD x 1/4" ID tubing compression type connections:**

- Suction tube – clear PVC – 10' length (3/8" OD, 1/4" ID)
- Suction strainer (C-342-6) and ceramic weight
- Discharge tube – opaque polyethylene – 10' (3/8" OD, 1/4" ID)
- Discharge injector "S", PVDF/Aflas, with 1/2 psi check (A-014NK-6A)

**With "B" 1/2" hose barb type connections:**

- Suction strainer, PVDF with 1/2" Barb. (71000-825)
- Discharge injector "B", PVDF/Aflas with 1/2 psi check (71000-770)

**With "M" MNPT type connections:**

- Suction strainer, PVDF with 1/2" MNPT (71000-824)
- Discharge injector "M", PVDF/Aflas with 1/2 psi check (71000-767)

**No accessories with "C" Tri-clamp and "Q" Quick Disconnect**

M12 Cables not included.


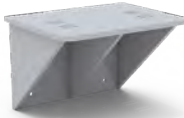





# Model Number Matrix

## FLEXFLO® Model Number

<b>A3</b>	FLEXFLO® A3 Peristaltic Metering Pump							
<b>Power Cord (operating voltage requirement 96VAC to 264VAC)</b>								
<b>4</b>	115V / 60HZ, power cord NEMA 5/15 plug (US)							
<b>6</b>	220V / 50HZ, power cord CEE 7/VII plug (EU)							
<b>X</b>	No Power Cord							
<b>Inlet/Outlet Connection Size, Connection Type, Connection Material</b>								
<b>S</b>	3/8" OD x 1/4" ID Tube Compression Fitting, Natural PVDF (Kynar)							
<b>M</b>	1/2" Male NPT Fitting, Natural PVDF (Kynar)							
<b>B</b>	1/2" ID Tubing Barb Fitting, Natural PVDF (Kynar), available for ND, NEE, NGG, NKL, and G2G only							
<b>C</b>	1/2"-3/4" Tri-clamp connections, Natural PVDF (Kynar), available for ND, NEE, NGG, NKL, and G2G only							
<b>Q</b>	Quick Disconnect, Natural PVDF (Kynar): ND, NEE, NGG, NKL, and G2G only (Valves sold separately)							
<b>MB</b>	1/2" Male BSPT Fitting, Natural PVDF (Kynar)							
<b>Pump Tube Material, Pump Tube Size *dual tube</b>								
<b>ND</b>	Flex-A-Prene® .075 ID   .001-2.1 GPH   125 PSI	<b>GE</b>	Flex-A-Thane® .125 ID   .002-4.60 GPH   65 PSI					
<b>NEE*</b>	Flex-A-Prene® .093 ID   .002-4.76 GPH   110 PSI	<b>GG</b>	Flex-A-Thane® .187 ID   .004-10.1 GPH   65 PSI					
<b>NGG*</b>	Flex-A-Prene® .187 ID   .007-19.02 GPH   110 PSI	<b>G2G*</b>	Flex-A-Thane® .187 ID   .007-18.23 GPH   65 PSI					
<b>NK</b>	Flex-A-Prene® .375 ID   .013-33.3 GPH   125 PSI	<b>GH</b>	Flex-A-Thane® .312 ID   .010-24.9 GPH   65 PSI					
<b>NKL</b>	Flex-A-Prene® .375 ID   .013-33.3 GPH   30 PSI	<b>GK</b>	Flex-A-Thane® .375 ID   .011-28.5 GPH   65 PSI					
<b>NHL</b>	Flex-A-Prene® .250 ID   .006-17.39 GPH   65 PSI	<b>TH</b>	Flex-A-Chem® .250 ID   .006-15.06 GPH   50 PSI					
		<b>TK</b>	Flex-A-Chem® .375 ID   .011-28.5 GPH   50 PSI					
<b>Pumhead Orientation</b>								
<b>(Blank)</b>	Standard - Left facing pumphead							
<b>R</b>	Right facing pumphead							
<b>D</b>	Down facing pumphead							
<b>A3</b>	<b>S</b>	<b>V</b>	<b>2</b>	<b>4</b>	<b>-</b>	<b>S</b>	<b>ND</b>	<b>Sample Model Number</b>

## Accessories

 <p>1/4" x 3/8" "S" Fitting 1/2" Hose Barb "B" Fitting 1/2" MNPT "M" Fitting</p> <p><b>Quick Disconnects</b></p> <ul style="list-style-type: none"> <li>*KIT-QSV FKM O-rings</li> <li>*KIT-QSE EP O-rings</li> <li>*KIT-QSA Aflas O-rings</li> <li>*KIT-QBV FKM</li> <li>*KIT-QBE EP</li> <li>*KIT-QBA Aflas</li> <li>*KIT-QMV FKM</li> <li>*KIT-QME EP</li> <li>*KIT-QMA Aflas</li> </ul>	 <p><b>KIT-PSM</b> Wall Mount Bracket, HDPE</p>	 <p><b>KIT-M12</b> Two M12 Cables - 9.8 ft.</p>	
<p>90010-663 115V/60Hz NEMA 5/15 90010-664 220V/50Hz CEE 7/V11 90010-665 230V/50Hz BS 1363/A 90010-666 240V/50Hz AS 3112 90010-696 230V/60Hz NEMA 6/15 90010-711 115V Lockable</p> <p><b>POWER CABLES - 6 ft</b></p>	 <p><b>KIT-DP3</b> Profibus Cable, 3 ft</p>	 <p><b>TI40-6V</b> T.I. Injector, 3/8" OD</p>	 <p><b>C-340-A</b> FOOT VALVE</p>

Visit Accessory Pages for More Options

# A4

## FLEXFLO® Peristaltic Metering Pump



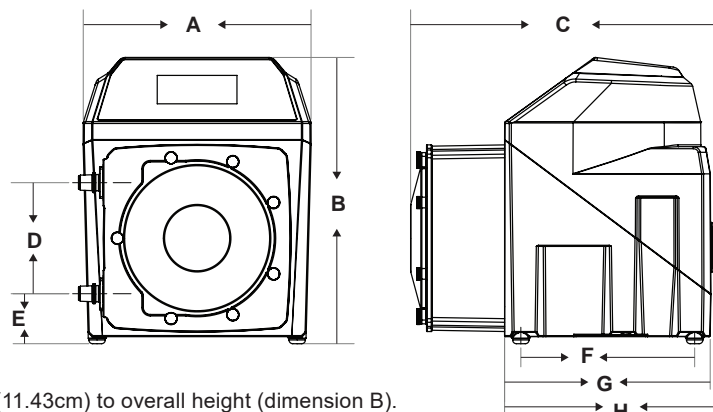
- > Self priming chemical metering pump delivers smooth chemical feed
- > Patented Tube Failure Detection senses tube rupture
- > Signal inputs include: 4-20mA, Pulse Inputs, Frequency Inputs
- > Signal outputs include: 4-20mA, Frequency Output, one 250V/6 AMP relay output, three 125V/1A
- > Communications Protocols: Ethernet IP, Profibus DP, Modbus TCP

### Highlights

<b>Flow range</b>	<b>Pressures up to</b>	<b>Turndown ratio</b>	<b>Suction lift</b>
.01 - 158.5 GPH .04 - 600 LPH	125 PSI (8.6 bar)	2,500 : 1	30 ft. Water, 0 psig (9.14 m, 0 bar)
<b>Exclusive</b>	<b>Motor</b>	<b>Weight</b>	<b>Warranty</b>
Tube Failure Detection (TFD)	Brushless DC	45.5 lb. (20.64 Kg)	2 Years

### Dimensions

Dim	Inch	cm	Dim	Inch	cm
A	12.1"	30.8	E	2.7"	6.8
B	15.3"	38.8	F	9.3"	23.5
C	16.5"	41.9	G	11.0"	27.8
D	5.9"	15.0	H	11.5"	29.2



**NOTE:** Optional Extended Bracket adds 4.5" (11.43cm) to overall height (dimension B).

### What's in the box

A4 Peristaltic Metering Pump  
Two tube assemblies (one installed, one spare)  
Mounting hardware kit  
QR Code link to Operating Manual  
M12 Cables not included.

- With "B" 1/2" hose barb type connections:**
- Suction strainer, PVDF with 1/2" Barb. (71000-825)
  - Discharge injector "B", PVDF/Aflas with 1/2 psi check (7100-770)
- With "M" MNPT type connections:**
- Suction strainer, PVDF with 1/2" MNPT (71000-824)
  - Discharge injector "M", PVDF/Aflas with 1/2 psi check (7100-767)
- No accessories with "C" Tri-clamp and "Q" Quick Disconnect




# Model Number Matrix

## FLEXFLO® Model Number

<b>A4</b>	FLEXFLO® A4 Peristaltic Metering Pump							
<b>Power Cord (operating voltage requirement 96VAC to 264VAC)</b>								
<b>4</b>	115V / 60HZ, power cord NEMA 5/15 plug (US)							
<b>6</b>	220V / 50HZ, power cord CEE 7/VII plug (EU)							
<b>X</b>	No Power Cord							
<b>Inlet/Outlet Connection Size, Connection Type, Connection Material</b>								
<b>M</b>	1/2" Male NPT Fitting, Natural PVDF (Kynar)							
<b>B</b>	1/2" ID Tubing Barb Fitting, Natural PVDF (Kynar)							
<b>C</b>	1/2" - 3/4" Tri-clamp connections, Natural PVDF (Kynar)							
<b>Q</b>	Quick Disconnect, Natural PVDF (Kynar), NP flow rate reduced 16.5% with Quick Disconnect connections (Valves sold separately)							
<b>MB</b>	1/2" Male BSPT Fitting, Natural PVDF (Kynar)							
<b>Pump Tube Material, Pump Tube Size</b> NOTE: * = Dual tube								
<b>NH</b>	Flex-A-Prene® .250 ID   .01-28.5 GPH   125 PSI	<b>GH</b>	Flex-A-Thane® .312 ID   .01-39.6 GPH   65 PSI					
<b>NHH*</b>	Flex-A-Prene® .250 ID   .02-54.0 GPH   100 PSI	<b>GHH*</b>	Flex-A-Thane® .312 ID   .03-71 GPH   65 PSI					
<b>NHHL*</b>	Flex-A-Prene® .250 ID   .02-54.0 GPH   65 PSI	<b>GK</b>	Flex-A-Thane® .375 ID   .02-55.5 GPH   65 PSI					
<b>NHL</b>	Flex-A-Prene® .250 ID   .01-28.5 GPH   65 PSI	<b>GKK*</b>	Flex-A-Thane® .375 ID   .04-100 GPH   65 PSI					
<b>NK</b>	Flex-A-Prene® .375 ID   .02-50.7 GPH   80 PSI	<b>TH</b>	Flex-A-Chem® .250 ID   .01-25.4 GPH   30 PSI					
<b>NL</b>	Flex-A-Prene® .500 ID   .04-100.0 GPH   50 PSI	<b>TK</b>	Flex-A-Chem® .375 ID   .02-54.0 GPH   30 PSI					
<b>NP</b>	Flex-A-Prene® .750 ID   .06-158.5 GPH   30 PSI	<b>TKK*</b>	Flex-A-Chem® .375 ID   .05-126 GPH   30 PSI					
<b>Pumphead Orientation</b>								
<b>(Blank)</b>	Standard - Left facing pumphead							
<b>R</b>	Right facing pumphead							
<b>D</b>	Down facing pumphead							
<b>A4</b>	<b>S</b>	<b>V</b>	<b>2</b>	<b>4</b>	<b>-</b>	<b>M</b>	<b>NH</b>	<b>Sample Model Number</b>

## Accessories



1/2" Hose Barb "B" Fitting  
1/2" MNPT "M" Fitting

**Quick Disconnects**    \*KIT-QBV FKM O-rings    \*KIT-QBE EP    \*KIT-QBA Aflas  
\*KIT-QMV FKM    \*KIT-QME EP    \*KIT-QMA Aflas



**KIT-PSM**  
Wall Mount Bracket, HDPE



**KIT-M12**  
Two M12 Cables - 9.8 ft.

90010-663 115V/60Hz NEMA 5/15  
90010-664 220V/50Hz CEE 7/V11  
90010-665 230V/50Hz BS 1363/A  
90010-666 240V/50Hz AS 3112  
90010-696 230V/60Hz NEMA 6/15  
90010-821 115V Lockable

**POWER CABLES - 6 ft**



**KIT-DP3**  
Profibus Cable, 3 ft

Visit Accessory Pages for More Options

# A5

## FLEXFLO® Peristaltic Metering Pump



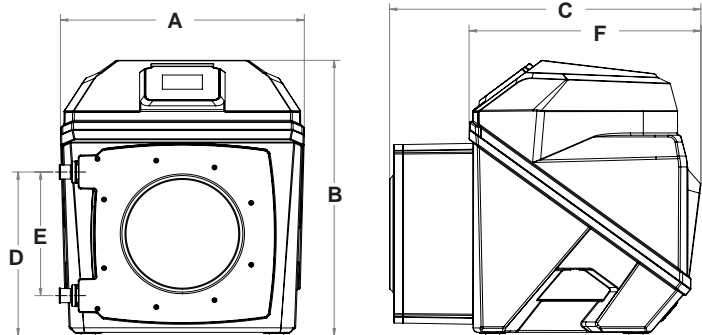
- > Self priming chemical metering pump delivers smooth chemical feed
- > Patented Tube Failure Detection senses tube rupture
- > Signal inputs include: 4-20mA, Pulse Inputs, Frequency Inputs
- > Signal outputs include: 4-20mA, Frequency Output, one 250V/6 AMP relay output, three 125V/1A
- > Communications Protocols: Ethernet IP, Profibus DP, Modbus TCP

### Highlights

<b>Flow range</b> .03 - 534 GPH .1 - 2041 LPH	<b>Pressures up to</b> 65 PSI (4.4 bar)	<b>Turndown ratio</b> 2,500 : 1	<b>Suction lift</b> 30 ft. Water, 0 psig (9.14 m, 0 bar)
<b>Exclusive</b> Tube Failure Detection (TFD)	<b>Motor</b> Brushless DC	<b>Weight</b> 178 lb. (80.7 Kg)	<b>Warranty</b> 2 Years

### Dimensions

Dim	Inch	cm	Dim	Inch	cm
A	25.7"	65.2	D	17.9"	45.4
B	30.1"	76.4	E	13.5"	34.3
C	32.8"	83.3	F	24.4"	62.0



### What's in the box

- A5 Peristaltic Metering Pump
- One tube assemblies (installed)
- One Tube Replacement Kit
- Floor Mount Kit
- QR Code link to Operating Manual
- M12 Cables not included.



# Model Number Matrix

A5

## Model Number

<b>A5</b>	FLEXFLO® Peristaltic metering pump						
<b>Power Cord (operating voltage user selectable 115V/240 VAC 50/60Hz)</b>							
<b>4</b>	115V / 60Hz, power cord NEMA 5/15 plug (US)						
<b>6</b>	220V / 50HZ, power cord CEE 7/VII plug (EU)						
<b>X</b>	No Power Cord						
<b>Inlet/Outlet Connection Size, Connection Type, Connection Material</b>							
<b>M</b>	1.5" Male NPT Fitting, Polypropylene, Aflas O-rings						
<b>B</b>	1.5" Hose Barb, Polypropylene, Aflas O-rings						
<b>Pump Tube Material, Pump Tube Size, Output Range, Pressure *dual tube</b>							
<b>NPP*</b>	Flex-A-Prene® .750 ID   0.2136– 534 GPH   0.8084 - 2021 LPH   13.476 - 33690 mL/min   30 PSI						
<b>NLL*</b>	Flex-A-Prene® .500 ID   0.1072 – 286 GPH   0.4332 - 1083 LPH   7.222 - 18056 mL/min   50 PSI						
<b>NHHL*</b>	Flex-A-Prene® .250 ID   0.0302 – 75.6 GPH   0.1144 - 286 LPH   1.907 - 4769 mL/min   65 PSI						
<b>GKK*</b>	Flex-A-Thane® .375 ID   0.0617 – 154.2 GPH   0.2334 - 583.6 LPH   3.891 - 9728 mL/min 50 PSI						
<b>Pumphead Orientation</b>							
<b>(Blank)</b>	Standard (Left facing pumphead)						
<b>R</b>	Right facing pumphead						
<b>O-rings / Elastomers</b>							
<b>(Blank)</b>	Standard (Aflas)						
<b>E</b>	EPDM						
<b>A5</b>	<b>S</b>	<b>2</b>	<b>4</b>	<b>-</b>	<b>M</b>	<b>NPP</b>	<b>Sample Model Number</b>

## Accessories

90010-663 115V/60Hz NEMA 5/15  
 90010-664 220V/50Hz CEE 7/V11  
 90010-665 230V/50Hz BS 1363/A  
 90010-666 240V/50Hz AS 3112  
 90010-696 230V/60Hz NEMA 6/15  
 90010-711 115V Lockable

**POWER CABLES - 6 ft**



**CABLE-UAC**  
 USB A-C CABLE



**KIT-M12**  
 TWO M12 CABLES



**KIT-DP3**  
 ONE 3ft PROFIBUS CABLE

\***KIT-M12-3** Three M12 Cables and **KIT-M12-6** Six M12 Cables also available.

Visit [Accessory Pages](#) for More Options

# A-100N

## FLEXFLO® Peristaltic Metering Pump



### Analog Units

- > Manual output control with easy dial knob style
- > Variable speed motor control

### Digital Units

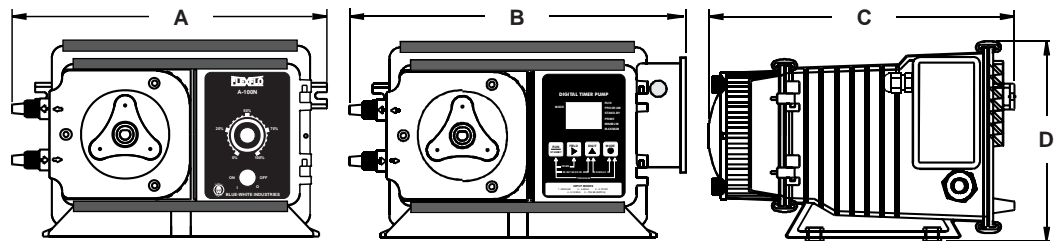
- > Manual or automatic control
- > Accepts 4-20mA, 0-10VDC, and pulse input signals
- > Variable speed motor control

## Highlights

<b>Flow range</b> .1 - 5.2 GPH .4 - 20 LPH	<b>Pressures up to</b> 100 PSI (6.9 bar)	<b>Turndown ratio</b> 20 : 1	<b>Suction lift</b> 30 ft. Water, 0 psig (9.14 m, 0 bar)
<b>Exclusive</b> Tube Failure Detection (TFD)	<b>Motor</b> Brushed DC	<b>Weight</b> 8 lb. (3.63 Kg)	<b>Warranty</b> 1 Year

## Dimensions

Dim	Inch	cm
A	9.375"	23.81
B	9.50"	24.10
C	9.125"	23.18
D	6.00"	15.24



\*Analog Units  
A-100NF

\*Digital Units  
A-100NV

## What's in the box



- |  |                       |
|--|-----------------------|
| A100N Peristaltic Metering Pump                                      | Mounting hardware kit |
| Two tube assemblies (one installed, one spare)                       | Display shield        |
| Suction tube – clear PVC<br>5' length (3/8" OD, 1/4" ID)             | Tube nuts (x2)        |
| Suction strainer (C-342-6)   | Instruction manual    |
| Suction ceramic weight   |                       |
| Discharge tube – opaque polyethylene<br>5' length (3/8" OD, 1/4" ID) |                       |
| Discharge injection fitting with 1/2 psi check (A-014N-6A)           |                       |

# Model Number Matrix

## FLEXFLO® Model Number

<b>A1N</b>	FLEXFLO® Peristaltic Metering Pump
<b>Maximum Motor RPM</b>	
<b>0</b>	14 RPM
<b>1</b>	30 RPM
<b>2</b>	45 RPM
<b>3</b>	60 RPM
<b>Power Cord</b>	
<b>0</b>	115V / 60HZ, power cord NEMA 5/15 plug (US)
<b>1</b>	220V / 50HZ, power cord CEE7/VII plug (EU)
<b>Input/Output Control</b>	
<b>F</b>	Analog Manual Speed Control (Dial Knob)
<b>V</b>	Digital Speed Control with external input (4-20ma, 0-10VDC, and Frequency/Pulse)
<b>Pump Tube Material, Pump Tube Size, Flow Rate</b>	
<b>1</b>	1/4" OD Flex-A-Thane®, 65 PSI (14 RPM = 5.7 GPD, 30 RPM = 13.3 GPD, 45 RPM = 20.5 GPD, 60 RPM = 25.5 GPD)
<b>2</b>	3/8" OD Flex-A-Thane®, 65 PSI (14 RPM = 12.2 GPD, 30 RPM = 28.5 GPD, 45 RPM = 43.6 GPD, 60 RPM = 53.3 GPD)
<b>3</b>	7/16" OD Flex-A-Thane®, 50 PSI (14 RPM = 27.8 GPD, 30 RPM = 65.8 GPD, 45 RPM = 99.2 GPD, 60 RPM = 124 GPD)
<b>4</b>	1/4" OD Flex-A-Prene®, 100 PSI (14 RPM = 2.3 GPD, 30 RPM = 4.9 GPD, 45 RPM = 8.0 GPD, 60 RPM = 9.5 GPD)
<b>6</b>	3/8" OD Flex-A-Prene®, 100 PSI (14 RPM = 6.9 GPD, 30 RPM = 16.0 GPD, 45 RPM = 24.0 GPD, 60 RPM = 30.1 GPD)
<b>7</b>	7/16" OD Flex-A-Prene®, 50 PSI (14 RPM = 21.7 GPD, 30 RPM = 52.5 GPD, 45 RPM = 76.1 GPD, 60 RPM = 95.1 GPD)
<b>8</b>	7/16" OD Flex-A-Chem®, 50 PSI (14 RPM = 15.2 GPD, 30 RPM = 31.9 GPD, 45 RPM = 53.3 GPD, 60 RPM = 68.4 GPD)
<b>NSF Certification</b>	
<b>(Blank)</b>	None
<b>X</b>	NSF 61 certified (only with -4T, -6T, -7T, and -8T tubes) (ships without accessories)
<b>A1N 0 0 F - 1 T -</b>	<b>Sample Model Number</b>

## Accessories

 <p><b>KIT-S07</b> <b>KIT-S15</b> <b>KIT-S30</b></p> <p>* Includes cover and foot valve</p> <p>KIT-S07 (7 Gallon), KIT-S15 (15 Gallon), KIT-S30 (30 Gallon) STAR III TANKS, PP</p>	 <p><b>KIT-PSM</b> WALL MOUNT BRACKET, HDPE</p>	 <p><b>A1-(see spare parts page)</b> Spare Tube Element</p>
 <p><b>T140-6V</b> T.I. INJECTOR, 3/8" OD</p>	 <p><b>C-340A</b> FOOT VALVE</p>	 <p><b>A-014NK-6A</b> PVDF INJECTOR</p>

Visit [Accessory Pages](#) for more Options

# A-100N (Polymer)

## FLEXFLO® Peristaltic Metering Pump



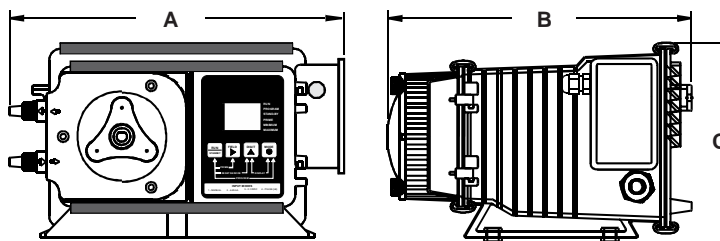
- > Enhanced Tube Failure Detection (TFD+) detects oil and water based polymers
- > Gentle pumping action for long chain polymers
- > Ideal for low and high viscosity fluids
- > Manual and Digital 4-20ma speed control models.

### Highlights

<b>Flow range</b>	<b>Pressures up to</b>	<b>Turndown ratio</b>	<b>Suction lift</b>
.1 - 5.2 GPH .4 - 20 LPH	65 PSI (4.5 bar)	20 : 1	30 ft. Water, 0 psig (9.14 m, 0 bar)
<b>Exclusive</b>	<b>Motor</b>	<b>Weight</b>	<b>Warranty</b>
Tube Failure Detection (TFD+)	Brushed DC	8 lb. (3.63 Kg)	1 Year

### Dimensions

Dim	Inch	cm
A	9.50"	24.10
B	9.125"	23.18
C	6.00"	15.24



**\*Polymer Units**  
A-100NVP, A-100NFP only

### What's in the box




- |   |   |
|---|---|
| <ul style="list-style-type: none"> <li>A100N Peristaltic Metering Pump</li> <li>Two tube assemblies (one installed, one spare)</li> <li>Suction tube – clear PVC<br/>5' length (3/8" OD, 1/4" ID)</li> <li>Suction strainer (C-342-6)</li> <li>Suction ceramic weight</li> <li>Discharge tube – opaque polyethylene<br/>5' length (3/8" OD, 1/4" ID)</li> <li>Discharge injection fitting with 1/2 psi check (A-014N-6A)</li> </ul> | <ul style="list-style-type: none"> <li>Mounting hardware kit</li> <li>Display shield</li> <li>Tube nuts (x2)</li> <li>Silicon Oil, 5 ml bottle</li> <li>Instruction manual</li> </ul> |
|---|---|

# Model Number Matrix

## FLEXFLO® Model Number

<b>A1N</b>	FLEXFLO® Peristaltic Metering Pump								
<b>Maximum Motor RPM</b>									
<b>0</b>	14 RPM								
<b>1</b>	30 RPM								
<b>2</b>	45 RPM								
<b>3</b>	60 RPM								
<b>Power Cord</b>									
<b>0</b>	115V / 60HZ, power cord NEMA 5/15 plug (US)								
<b>1</b>	220V / 50HZ, power cord CEE7/VII plug (EU)								
<b>Input/Output Control</b>									
<b>F</b>	Analog Manual Speed Control (Dial Knob)								
<b>V</b>	Digital Speed Control with external input (4-20ma, 0-10VDC, and Frequency/Pulse)								
<b>Pump Tube Material, Pump Tube Size</b>									
<b>1</b>	1/4" OD Flex-A-Thane®, 65 PSI								
<b>2</b>	3/8" OD Flex-A-Thane®, 65 PSI								
<b>3</b>	7/16" OD Flex-A-Thane®, 50 PSI								
<b>Polymer Pump Model</b>									
<b>P</b>	Polymer Pump equipped with TFD+								
<b>A1N</b>	<b>0</b>	<b>0</b>	<b>F</b>	<b>-</b>	<b>1</b>	<b>T</b>	<b>-</b>	<b>P</b>	<b>Sample Model Number</b>

## Accessories

 <p><b>KIT-S07</b> <b>KIT-S15</b> <b>KIT-S30</b></p> <p>* Includes cover and foot valve</p> <p>KIT-S07 (7 Gallon), KIT-S15 (15 Gallon), KIT-S30 (30 Gallon) STAR III TANKS, PP</p>	 <p><b>KIT-PSM</b> WALL MOUNT BRACKET, HDPE</p>	 <p><b>A1-1T, A1-2T, A1-3T</b> Spare Tube Element</p>
 <p><b>T140-6V</b> T.I. INJECTOR, 3/8" OD</p>	 <p><b>C-340A</b> FOOT VALVE</p>	 <p><b>A-014NK-6A</b> PVDF INJECTOR</p>

Visit [Accessory Pages](#) for more Options